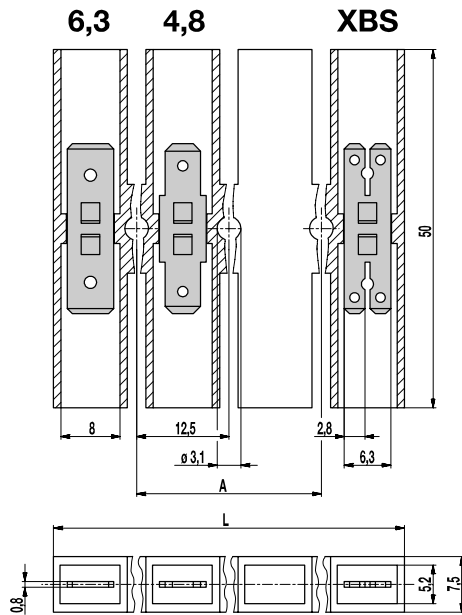
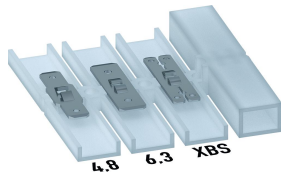


408-50-4,8/-6,3 /-XBS

Tab connector block
Housing width 50 mm



Tab connector blocks 408-50 with double connectors on both sides are used mainly as connectors, lead distributors or as electrical interface in equipment and motor vehicles. Depending on the application, these connector blocks with a housing width of 50 mm are available for 4,8; 6,3 or XBS-tabs in 1- to 12-pole design.

Except for pitch and total length this variant is compliant with DIN 72586-C50.

These tab connectors are suitable for tab receptacles according to DIN 46247. The crimp points of tab receptacles are completely insulated.

Part Numbers

No. of poles	408-50-4,8	408-50-6,3	408-50-XBS	Length	A *	PU
1	40.830.201	30.830.201	20.830.201	10,00		2000
2	40.830.202	30.830.202	20.830.202	22,50		1000
3	40.830.203	30.830.203	20.830.203	35,00	12,50	700
4	40.830.204	30.830.204	20.830.204	47,50	25,00	600
5	40.830.205	30.830.205	20.830.205	60,00	37,50	100
6	40.830.206	30.830.206	20.830.206	72,50	50,00	100
7	40.830.207	30.830.207	20.830.207	85,00	62,50	100
8	40.830.208	30.830.208	20.830.208	97,50	75,00	100
9	40.830.209	30.830.209	20.830.209	110,00	87,50	70
10	40.830.210	30.830.210	20.830.210	122,50	100,00	70
11	40.830.211	30.830.211	20.830.211	135,00	112,50	70
12	40.830.212	30.830.212	20.830.212	147,50	125,00	50

* = Distance of the two outermost mounting holes

Part Numbers: "no flame" acc. to glow-wire test

No. of poles	408-50-4,8	408-50-6,3	408-50-XBS	Length	A *	PU
1		31.830.201.EN6		10,00		2000

further number of poles on request

General Information

Pitch	12,5 mm
No. of poles	1 - 12

Technical Data

	III	III	II
Overvoltage Category	III	III	II
Pollution Severity Level	3	2	2
Rated Voltage	500 V	630 V	1000 V
Rated Impulse Voltage	6 kV	6 kV	6 kV
Rated Insulation Voltage	750 V acc. to EN 60998-1		
Rated Current	7,5 A: with receptacle 2,8; wire 1 mm ² (16 AWG) 15 A: with receptacle 4,8; wire 2,5 mm ² (14 AWG) 20 A: with receptacle 6,3; wire 6,0 mm ² (10 AWG)		
Other specifications	Rated values apply to use without insulated substrates.		

Material

Moulding	PA, natural, V-2 (PA, white, V-0) Details in brackets apply for "no flame" products
Comparative Tracking Index	CTI ≥ 600
Insulating Group	I
Temperature Range	-40°C up to 100°C
Tab	Nickel plated brass

Approvals

	Current [A]	Voltage [V]	Group	AWG	[Nm]
	25	600	B,C	max. 10	[1]
	15	600	B,C	max. 14	[2]
	6	600	B,C	max. 16	[3]
	25	600	B,C	max. 10	[1]

[1] only applicable when used with 6,3 tab receptacles

[2] only applicable when used with 4,8 tab receptacles

[3] only applicable when used with 2,8 tab receptacles

Options / Accessories

- Consecutive numbering
- Special marking according to drawing