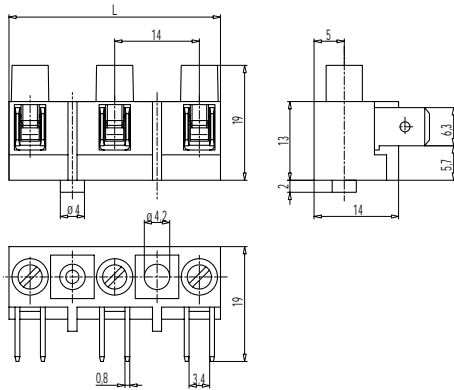
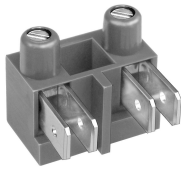


42..-CZ(-DS)

Tab/screw connector block
Tabs 6,3, with peg



Tab/screw connector block 42..-CZ in 14 mm pitch with projecting peg is a combination of socket terminals and tab connectors. On the tab connector side, it features two 6.3 mm tabs and is available in 3- and 4-pole design. The individual poles are continuously numbered according to the number of poles.

In place of the mounting hole, a projecting peg at the base is located on the left side facing the tabs, enabling to mount the connector to the substrate with only one screw.

The wire protector of the "DS"-version reliably prevents damage to multi-wire flexible conductors by the turning screw.

Ordering note:

For the variable placeholder („...") in the type designation, please enter the corresponding number of poles. Example: 423-CZ for a 3-pole variant.

Part Numbers

No. of poles	42..-CZ	42..-CZ-DS	Length	PU
3	50.830.416	60.830.416	35,00	150
4	50.830.418	60.830.418	49,00	100

General Information

Pitch	14 mm
No. of poles	3 + 4
Areas of application	Mains connection of electrical equipment
Additional Information	These components cannot be mounted side-by-side. Multiple connectors can only be mounted side-by-side in 14 mm pitch to ensure clearance and creepage distances are observed.



Technical Data

Clamping Range	<i>solid / flexible / AWG</i>		
<i>without wire protector</i>	4 mm ² / - / 12 AWG [1]		
<i>with wire protector</i>	1,5 - 4 mm ² / 1,5 - 2,5 mm ² / 16 - 12 AWG		
Rated Cross Section	2,5 mm ² [2]		
Wire Stripping Length	6 mm ± 0,5 mm		
Overvoltage Category	III	III	II
Pollution Severity Level	3	2	2
Rated Voltage	400 V	630 V	1000 V
Rated Impulse Voltage	6 kV	6 kV	6 kV
Rated Insulation Voltage	450 V acc. to EN 60998-1		
Rated Current	20 A: with receptacle 6,3; wire 6,0 mm ² (10 AWG) 24 A: screw side		
Torque	0,5 Nm		

Material

Moulding	PA, grey, V-0
Comparative Tracking Index	CTI ≥ 600
Insulating Group	I
Temperature Range	-40°C up to 100°C
Terminal Body	Nickel plated brass
Tab	Nickel plated brass
Screw	M3; zinc plated steel, blue passivated
Wire protector	Tin plated tin bronze

Approvals

	Current [A]	Voltage [V]	Group	AWG	[Nm]
	20	300	B	14 - 12	0,51 [3][4]
	20	150	C	14 - 12	0,51 [3][4]
	20	300	B	20 - 12	0,51 [3][5]
	10	300	D,E	20 - 12	0,51 [3][5]

Options / Accessories

- Marking strips BST-422 to -426
- Extended screw guide
- Insulation receptacles ISO

[1] use only solid wires. Small and flexible wires are not possible

[2] Screw side

[3] quick connector max. 10 AWG

[4] 18 - 12 AWG is applicable for 42...-CZ-DS

[5] 22 - 12 AWG is applicable for 42...-CZ-DS