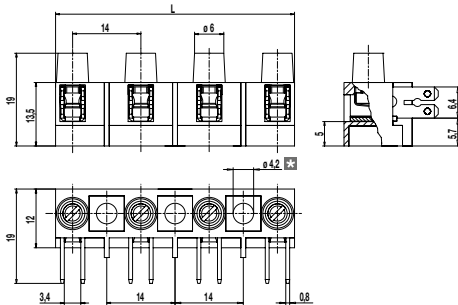
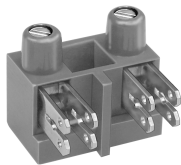


Tab/screw connector block 42..-EL(-DS)

Tab 2x2,8 / 1x6,3



* = Outer hole for 2 and 6 poles: $\varnothing 3,6$ mm

Tab/screw connector block 42..-EL in 14 mm pitch is a combination of socket terminals and tab connectors. On the tab connector side, it features two B 2,8 mm tabs per pole and is available in 2- to 4- and 6-pole design.

The individual poles are continuously numbered according to the number of poles. The wire protector of the "DS"-version reliably prevents damage to multi-wire flexible conductors by the turning screw.

Ordering note:

For the variable placeholder („...“) in the type designation, please enter the corresponding number of poles. Example: 423-EL for a 3-pole variant.

Part Numbers

No. of poles	42..-EL	42..-EL-DS	Length	PU
2	80.830.414	81.830.414	21,00	200
3	80.830.415	81.830.415	35,00	150
4	80.830.417	81.830.417	49,00	100
6	80.830.411	81.830.411	77,00	100

General Information

Pitch	14 mm
No. of poles	2, 3, 4, 6
Areas of application	Mains connection of electrical equipment
Additional Information	These components cannot be mounted side-by-side. Multiple connectors can only be mounted side-by-side in 14 mm pitch to ensure clearance and creepage distances are observed.

Technical Data

Clamping Range	<i>solid / flexible / AWG</i>		
<i>without wire protector</i>	4 mm ² / - / 12 AWG [1]		
<i>with wire protector</i>	1,5 - 4 mm ² / 1,5 - 2,5 mm ² / 16 - 12 AWG		
Rated Cross Section	2,5 mm ² [2]		
Wire Stripping Length	6 mm \pm 0,5 mm		
Overvoltage Category	III	III	II
Pollution Severity Level	3	2	2
Rated Voltage	400 V	630 V	1000 V
Rated Impulse Voltage	6 kV	6 kV	6 kV
Rated Insulation Voltage	450 V acc. to EN 60998-1		
Rated Current	6 A: with receptacle 2,8; wire 1,0 mm ² (16 AWG) 25 A: with receptacle 6,3; wire 6,0 mm ² (10 AWG) 24 A: screw side		
Torque	0,5 Nm		

Material

Moulding	PA, grey, V-0
Comparative Tracking Index	CTI \geq 600
Insulating Group	I
Temperature Range	-40°C up to 100°C
Terminal Body	Nickel plated brass
Tab	Nickel plated brass
Screw	M3; zinc plated steel, blue passivated
Wire protector	Tin plated tin bronze

Approvals

	Current	Voltage	Group	AWG	Nm
	20	300	B	14 - 12	0,51 [3][4]
	20	150	C	14 - 12	0,51 [3][4]
	20	300	B	20 - 12	0,51 [3][5]
	10	300	D,E	20 - 12	0,51 [3][5]

Options / Accessories

- Marking strips BST-422 to -426
- Extended screw guide
- Insulation receptacles ISO

[1] use only solid wires. Small and flexible wires are not possible

[2] Screw side

[3] quick connector max. 10 AWG

[4] 18 - 12 AWG is applicable for 42...-EL-DS

[5] 22 - 12 AWG is applicable for 42...-EL-DS