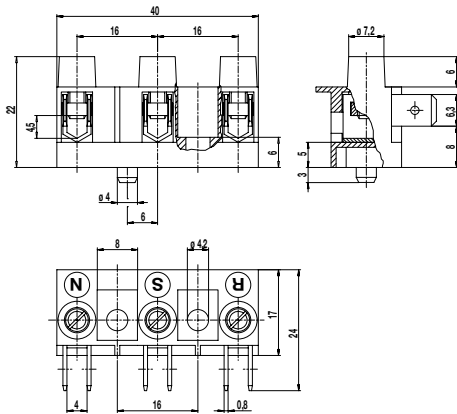
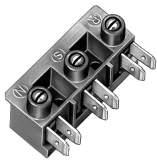


Tab/screw connector block 433-ZA(-DS)

Tab 6,3 mm, with peg, with marking "R S N"



Tab/screw connector block 433-ZA is available in 3-pole design. It is equipped with a one-piece metal part on mains and equipment side avoiding contact resistance inside the connector.

Thanks to mounting holes between the poles and a protecting peg, this connector can be mounted twist-proof with a only one screw on an appropriately prepared substrate.

The wire protector of the "DS"-version reliably prevents damage to multi-wire flexible conductors by the turning screw.

This type features the additional permanent marking:
„R S N“

Part Numbers

No. of poles	433-ZA	433-ZA-DS	Length	PU
3	50.830.433	60.830.433	40,00	150

General Information

Pitch	16 mm
No. of poles	3
Additional Information	These components cannot be mounted side-by-side. Multiple connectors can only be mounted side-by-side in 16 mm pitch to ensure clearance and creepage distances are observed.

Technical Data

Clamping Range	<i>solid / flexible / AWG</i>		
<i>without wire protector</i>	1,5 - 6 mm ² / - / 16 - 10 AWG [1]		
<i>with wire protector</i>	1,5 - 6 mm ² / 1,5 - 6 mm ² / 16 - 10 AWG		
Rated Cross Section	4 mm ² [2]		
Wire Stripping Length	7 mm ± 0,5 mm		
Overvoltage Category	III	III	II
Pollution Severity Level	3	2	2
Rated Voltage	500 V	630 V	1000 V
Rated Impulse Voltage	6 kV	6 kV	6 kV
Rated Insulation Voltage	750 V acc. to EN 60998-1		
Rated Current	25 A: with receptacle for tabs 6,3; wire 6,0 mm ² (10 AWG) 32 A: screw side		
Torque	0,5 Nm		

Material

Moulding	PA, grey, V-0
Comparative Tracking Index	CTI ≥ 600
Insulating Group	I
Temperature Range	-40°C up to 100°C
Terminal Body	Nickel plated brass
Tab	Nickel plated brass
Screw	M3,5; zinc plated steel, blue passivated
Wire protector	Tin plated tin bronze

Approvals

	Current	Voltage	Group	AWG	Nm
	25	300	B	18-10 [3]	0,51
	25	150	C	18-10 [3]	0,51
	25	300	B	22-12 [3]	0,51
	10	300	D,E	22-12 [3]	0,51

Options / Accessories

- Different pole markings on housing
- Extended screw guide
- Insulation receptacles ISO

[1] use only solid wires

[2] Screw side

[3] quick connector max. 10 AWG