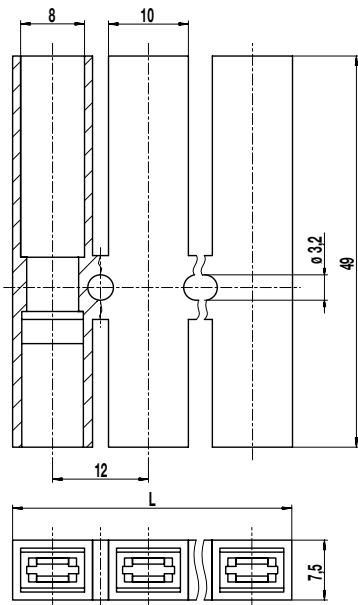


Flat plug guide

440-PA

for tab connections 6,3 mm



Flat plug guides 440-PA are used for insulating flat plug connections of nominal size 6,3.

During assembly, a latch locks the flat plug into place in the housing. The tab receptacle can then be plugged onto the plug.

All along the plug guide, the plug contact is completely insulated.

Part Numbers

No. of poles	440-PA	Length	A *	PU
1	20.830.011	10,00		15 000
2	20.830.012	22,00		1000
3	20.830.013	34,00	12,00	500
4	20.830.014	46,00	24,00	500
5	20.830.015	58,00	36,00	100
6	20.830.016	70,00	48,00	100
7	20.830.017	82,00	60,00	100
8	20.830.018	94,00	72,00	100
9	20.830.019	106,00	84,00	100
10	20.830.020	118,00	96,00	70
11	20.830.021	130,00	108,00	60
12	20.830.022	142,00	120,00	60

* = Distance of the two outermost mounting holes

General Information

Pitch	12 mm
No. of poles	1 - 12

Technical Data

Clamping Range	<i>solid / flexible / AWG</i> 6,0 mm ² / 10 AWG
Overvoltage Category	III
Pollution Severity Level	2
Rated Voltage	630 V
Rated Impulse Voltage	6 kV
Rated Current	25 A: with receptacle 6,3; wire 6,0 mm ² (10 AWG)

Material

Moulding	PA, natural, V-2
Comparative Tracking Index	CTI ≥ 600
Insulating Group	I
Temperature Range	-40°C up to 100°C