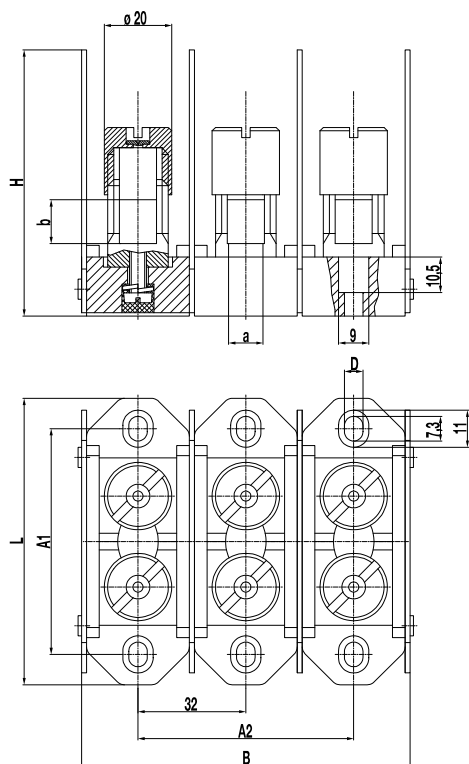


## Modular double terminals

### 6071-MU / 6072-MU / 6073-MU / 6074-MU

with double mantle terminals MUD



#### Dimensions (mm)

Type	a	b	L	B	H	A1	A2	D
6071-MU	10,5	13	85	31	57	68	-	5,5
6072-MU	10,5	13	85	65	78	68	32	5,5
6073-MU	10,5	13	85	97	78	68	64	5,5
6074-MU	10,5	13	85	129	78	68	96	5,5

The modular double terminals are available as standard in 1 to 4 pole design. The multicontact blocks have separators between the individual contacts. This provides large area shock-hazard protection and sufficient clearance and creepage distance according to DIN EN 60 998. The mantle terminals are screwed with the porcelain bases and potted at the bottom for insulation and mechanical locking of the screws.

#### Part Numbers

Type	Part Numbers	PU
6071-MU	21.642.004	20
6072-MU	22.642.004	5
6073-MU	23.642.004	4
6074-MU	24.642.004	3

#### General Information

No. of poles 1 - 4

#### Technical Data

Rated Cross Section 1x70 mm<sup>2</sup>  
1x2/0 AWG

Rated Voltage 500 V acc. to EN 60664-1  
Pollution degree 4

Rated Current 207 A

#### Material

Base material Porcelain, unglazed

Temperature Range [1] -40°C up to 200°C; [2] -40°C up to 120°C

Pressure bolt Nickel plated brass

Nut Nickel plated brass

Slotted Bolt Nickel plated brass

Barrier Hardpaper

#### Options / Accessories

- Larger number of poles

[1] 1-pole version

[2] 2- to 4-pole version due to the separators