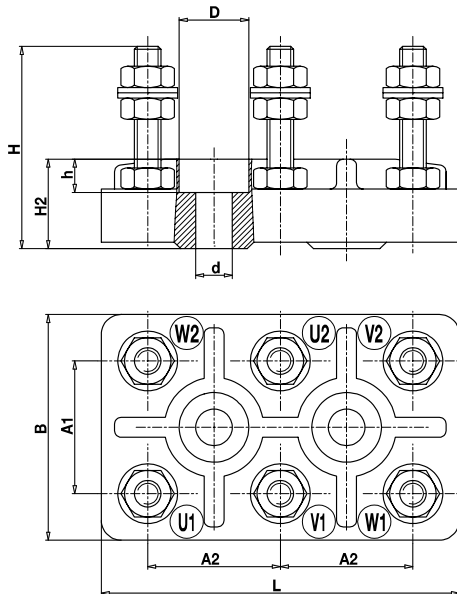


711 / 714 / 715 / 716 / 717

Motor terminal boards
similar to DIN 46294



Dimensions (mm)

Type	LxB	M	H	H2	h	A1	A2	D	d
711	54x34	M4	27,5	13,5	5	20	20	ø 10,5	ø 5,5
714	64x40	M5	31,5	15,5	7	23	23	ø 12,5	ø 7
715	78x48	M6	37,5	18,5	9	28	28	ø 12,5	ø 7
716	96x60	M8	47,5	21	10	35	35	ø 16	ø 9
717	120x75	M10	55	25	15	45	45	ø 18,5	ø 11

These motor terminal boards have intermediate separators and two recessed mounting screw holes. They are supplied with mounted terminal nuts and washers. Jumpers are available as an option.

Designation of our motor terminal boards in accordance to DIN 46294:

- 711 = K1 M4
- 714 = K1 M5
- 715 = K1 M6
- 716 = K1 M8
- 717 = K1 M10

Part Numbers

Type	Part Numbers	PU
711	10.680.011	48
714	10.680.014	30
715	10.680.015	16
716	10.680.016	9
717	10.680.017	9

General Information

No. of poles 6

Technical Data

Rated Cross Section	Depending upon the cable lugs	
Rated Voltage	max. 660 V The motor terminal boards can also be used for higher voltages, depending upon the size and installation conditions.	
Rated Current	The maximum permitted current for bushing bolts:	711: 16A 714: 25A 715: 63A 716: 100A 717: 160A
Torque	M4:1,2 Nm; M5:2,0 Nm; M6:3,0 Nm; M8:6,0 Nm; M10:10 Nm	
Base mounting	Recommendation: 711: screw M5; Max. Torque 1.5 Nm 714: screw M6; Max. Torque 2 Nm 715: screw M6; Max. Torque 2 Nm 716: screw M8; Max. Torque 3 Nm 717: screw M10; Max. Torque 3.5 Nm Installation of all variants, each with a suitable washer and use of an elastic & insulating underlay	
Other specifications	Rated values apply to use without insulated substrates.	

Material

Base material	Engineering ceramic
Comparative Tracking Index	CTI ≥ 600
Insulating Group	I
Temperature Range	-40°C up to 250°C
Nut	Brass, blank
Screw	Brass, blank
Washer	Zinc plated steel

Options / Accessories

- Jumpers 751-758