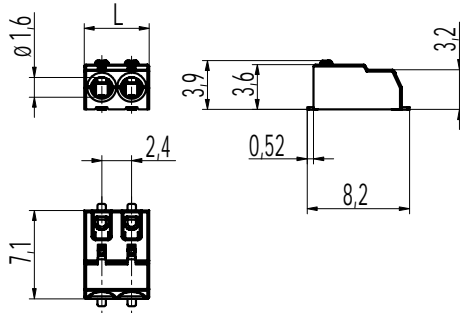
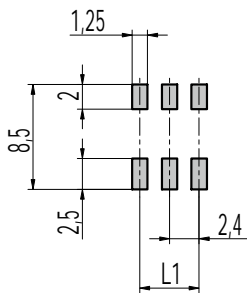


802-A-111-SMD

PCB connector for SMD
Push-In connection



PCB Layout (Recommendation)



$L1 = (\text{No. of poles} - 1) \times \text{pitch}$
Solder paste thickness: 0,15 - 0,2 mm

Part Numbers

No. of poles	802-A-111-SMD	Length	PU
1		3,20 mm	
2		5,20 mm	
3		7,60 mm	

General Information

Pitch	2,4 mm
No. of poles	1 - 3
Areas of application	Lighting technology, devices


Technical Data

Clamping Range	<i>solid / flexible / AWG</i>		
	0,14 - 0,34mm ² / 0,14 - 0,34mm ² / 26 - 22 AWG [1]		
Rated Cross Section	0,34 mm ²		
Wire Stripping Length	5 mm ± 0,5 mm		
Overvoltage Category	III	III	II
Pollution Severity Level	3	2	2
Rated Voltage	125 V	160 V	320 V
Rated Impulse Voltage	2,5 kV	2,5 kV	2,5 kV
Rated Current	4 A (0,34 mm ² / AWG 22)		
	3 A (0,2 mm ² / AWG 24)		
	2,5 A (0,14 mm ² / AWG 26)		
Soldering process	Reflow solder		

Material

Moulding	PA HT, natural, V-0
Comparative Tracking Index	CTI ≥ 600
Insulating Group	I
Temperature Range	-40°C up to 105°C; reflow solder temperature peak max. 255°C acc. to DIN EN 61760-1
Terminal body	Tin plated copper alloy
Spring	Tin plated copper alloy

Approvals

Current [A]	Voltage [V]	Group	AWG	[Nm]
	[2]			

[2] UL-file number E214555 acc. to UL 1977

Part Numbers: Tape-on-Reel

No. of poles	802-A-111-SMD	Tape Width	Tape Height	PU
1	10.813.201.A00	16,0 mm	4,75 mm	1200
2	10.813.202.A00	16,0 mm	4,75 mm	1200
3	10.813.203.A00	16,0 mm	4,75 mm	1200

[1] Use of flexible conductors only with tinned ends