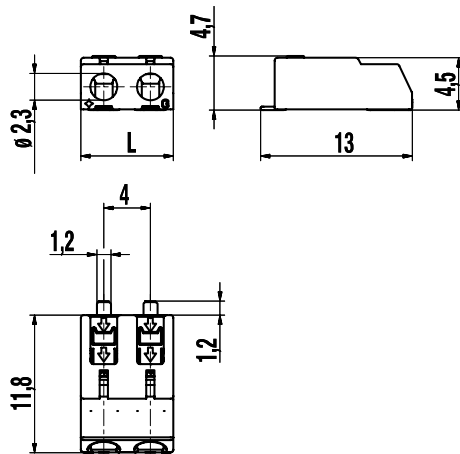
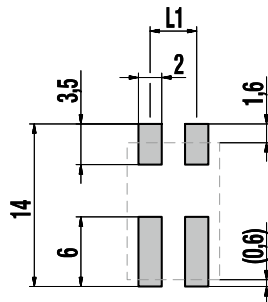


# 804-A-111-SMD

PCB connector for SMD  
Push-In connection



## PCB Layout (Recommendation)



$L1 = (\text{No. of poles} - 1) \times \text{pitch}$   
Solder paste thickness: 0,15 - 0,2 mm

## Part Numbers

No. of poles	804-A-111-SMD	Length	PU
1		3,95 mm	
2		7,95 mm	
3		11,95 mm	

## General Information

Pitch	4 mm
No. of poles	1 - 3
Areas of application	Lighting technology, devices


## Technical Data

Clamping Range	<i>solid / flexible / AWG</i>		
	0,2 - 0,75mm <sup>2</sup> / 0,2 - 0,75mm <sup>2</sup> / 24 - 18 AWG [1]		
Rated Cross Section	0,75 mm <sup>2</sup>		
Wire Stripping Length	6,5 mm ± 0,5 mm		
Overvoltage Category	III	III	II
Pollution Severity Level	3	2	2
Rated Voltage	32 V	125 V	160 V
Rated Impulse Voltage	1,5 kV	1,5 kV	1,5 kV
Rated Current	9 A (0,75 mm <sup>2</sup> / AWG 18)		
Soldering process	Reflow solder		

## Material

Moulding	PA HT, natural, V-0
Comparative Tracking Index	CTI ≥ 600
Insulating Group	I
Temperature Range	-40°C up to 105°C; reflow solder temperature peak max. 255°C acc. to DIN EN 61760-1
Terminal body	Tin plated copper alloy
Spring	Tin plated copper alloy

## Approvals

Current [A]	Voltage [V]	Group	AWG	[Nm]
	[2]			

[2] UL-file number E214555 acc. to UL 1977

## Part Numbers: Tape-on-Reel

No. of poles	804-A-111-SMD	Tape Width	Tape Height	PU
1	10.813.401.A00	24,0 mm	5,1 mm	1500
2	10.813.402.A00	24,0 mm	5,1 mm	1000
3	10.813.403.A00	24,0 mm	5,1 mm	750

[1] Use of flexible conductors only with tinned ends