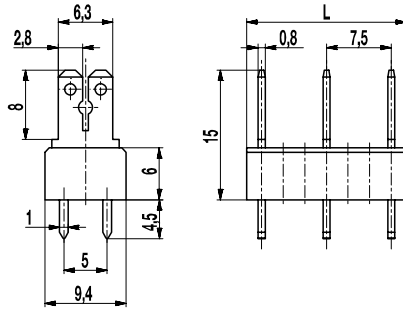
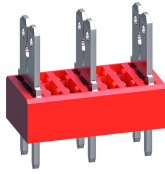


900-S-7,5

Tab connector

Tab 2x 2,8 mm / 1x 6,3 mm



The tab connector 900-S-7,5 with double solder termination and a pitch of 7,5 mm is designed for 1x 2,8 mm or 1x 6,3 mm tab connector receptacles.

Depending on the respective application, the tab connectors of series 900 allow to plug in bare, partially or fully insulated tab receptacles according to DIN 46247. Also non-insulated 2,8 mm or 6,3 mm tab receptacles can be plugged on these tab connectors. Insulation receptacles ISO-25 (see also ISO product data sheet) can be used to insulate 2,8 mm or 6,3 mm tab receptacles.

Insulation sockets are available for 6,3 mm tab connectors with double-spring contacts (see also ISO-900 product data sheet).

Part Numbers

No. of poles	900-S-7,5	Length	PU
2	75.870.903	11,00	250
3	75.870.904	18,50	200
4	75.870.906	26,00	100
5	75.870.907	33,50	100
6	75.870.909	41,00	100
7	75.870.910	48,50	100
8	75.870.912	56,00	100
9	75.870.913	63,50	100
10	75.870.915	71,00	100
11	75.870.916	78,50	100
12	75.870.918	86,00	100
13	75.870.919	93,50	100
14	75.870.921	101,00	100
15	75.870.922	108,50	100
16	75.870.924	116,00	50
17	75.870.925	123,50	50

General Information

Pitch	7,5 mm
No. of poles	2 - 17



Technical Data

Overvoltage Category	III	III	II
Pollution Severity Level	3	2	2
Rated Voltage	500 V	630 V	1000 V
Rated Impulse Voltage	6 kV	6 kV	6 kV
Rated Insulation Voltage	750 V acc. to EN 60998-1		
Rated Current	7,5 A: with receptacles 2,8; wire 1 mm ² (16 AWG) 15 A: with receptacles 6,3; wire 2,5 mm ² (14 AWG)		
Hole in PCB	ø 1,6 mm		
Other specifications	Indicated rated voltages refer to applications with insulation receptacles		

Material

Moulding	PA, red, V-0
Comparative Tracking Index	CTI ≥ 600
Insulating Group	I
Temperature Range	-40°C up to 100°C
Solder pin	1,0 x 0,8 mm; tin plated brass
Tab	2,8 x 0,8 mm; 6,3 x 0,8 mm; tin plated brass

Approvals

	Current [A]	Voltage [V]	Group	AWG	[Nm]
	15	300	B		
	15	150	C		
	15	300	B		
	10	300	D, E		

Options / Accessories

- Consecutive numbering
- Special marking according to drawing
- Self-adhesive marking strip BST-7,50
- Insulation receptacles ISO
- Insulation sockets ISO-900
- Change of pitch
- Component mix of tab connector versions
- Tab connectors are also individually available (see single tabs GST-900)