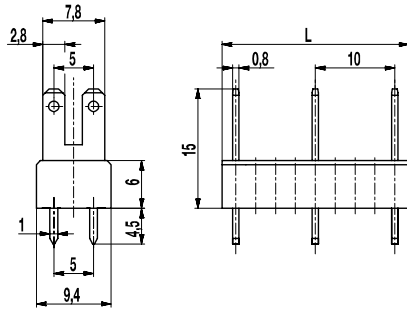
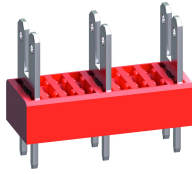


900-SH-10

Tab connector
Tab 2x 2,8 mm



The tab connector 900-SH-10 with double solder termination and a pitch of 10 mm is designed for 2x 2,8 mm tab connector receptacles.

Depending on the respective application, the tab connectors of series 900 allow to plug in bare, partially or fully insulated tab receptacles according to DIN 46247. On tab connectors of this series, two non-insulated 2,8 mm tab receptacles can be plugged in parallel. Insulation receptacles ISO-110 (see also ISO product data sheet) can be used to insulate 2,8 mm tab receptacles.

Part Numbers

No. of poles	900-SH-10	Length	PU
2	39.870.903	13,50	250
3	39.870.905	23,50	100
4	39.870.907	33,50	100
5	39.870.909	43,50	100
6	39.870.911	53,50	100
7	39.870.913	63,50	100
8	39.870.915	73,50	100
9	39.870.917	83,50	100
10	39.870.919	93,50	100
11	39.870.921	103,50	100
12	39.870.923	113,50	100
13	39.870.925	123,50	50

further number of poles on request

General Information

Pitch	10 mm
No. of poles	2 - 13



Technical Data

Overvoltage Category	III	III	II
Pollution Severity Level	3	2	2
Rated Voltage	630 V	630 V	1000 V
Rated Impulse Voltage	6 kV	6 kV	6 kV
Rated Insulation Voltage	750 V acc. to EN 60998-1		
Rated Current	7,5 A: with receptacles 2,8; wire 1 mm ² (16 AWG)		
Hole in PCB	ø 1,6 mm		
Other specifications	Indicated rated voltages refer to applications with insulation receptacles		

Material

Moulding	PA, red, V-0
Comparative Tracking Index	CTI ≥ 600
Insulating Group	I
Temperature Range	-40°C up to 100°C
Solder pin	1,0 x 0,8 mm; tin plated brass
Tab	2,8 x 0,8 mm; tin plated brass

Approvals

	Current [A]	Voltage [V]	Group	AWG	[Nm]
	15	300	B		
	15	150	C		
	15	300	B		
	10	300	D, E		

Options / Accessories

- Consecutive numbering
- Special marking according to drawing
- Self-adhesive marking strip BST-10,00
- Insulation receptacles ISO
- Change of pitch
- Component mix of tab connector versions
- Tab connectors are also individually available (see single tabs GST-900)