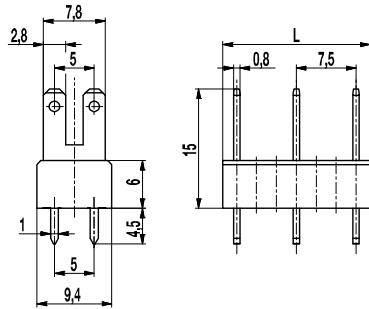
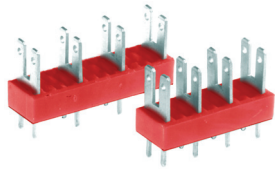


# Tab connector

## 900-SH-7,5

Tab 2x 2,8 mm



The tab connector 900-SH-7,5 with double solder termination and a pitch of 7,5 mm is designed for 2x 2,8 mm tab connector receptacles.

Depending on the respective application, the tab connectors of series 900 allow to plug in bare, partially or fully insulated tab receptacles according to DIN 46247. On tab connectors of this series, two non-insulated 2,8 mm tab receptacles can be plugged in parallel. Insulation receptacles ISO-110 (see also ISO product data sheet) can be used to insulate 2,8 mm tab receptacles.

### Part Numbers

No. of poles	900-SH-7,5	Length	Pcs
2	37.870.903	13,50	250
3	37.870.904	18,50	200
4	37.870.906	28,50	100
5	37.870.907	33,50	100
6	37.870.909	43,50	100
7	37.870.910	48,50	100
8	37.870.912	58,50	100
9	37.870.913	63,50	100
10	37.870.915	73,50	100
11	37.870.916	78,50	100
12	37.870.918	88,50	100
13	37.870.919	93,50	100
14	37.870.921	103,50	100
15	37.870.922	108,50	100
16	37.870.924	118,50	50
17	37.870.925	123,50	50

### General Information

Pitch	7,5 mm
No. of poles	2 - 17

### Technical Data

Overvoltage Category	III	III	II
Pollution Severity Level	3	2	2
Rated Voltage	500 V	630 V	1000 V
Rated Impulse Voltage	6 kV	6 kV	6 kV
Rated Insulation Voltage	750 V acc. to EN 60998-1		
Rated Current	6 A: with receptacles 2,8; wire 1 mm <sup>2</sup> (16 AWG)		
Hole in PCB	ø 1,6 mm		
Other specifications	Indicated rated voltages refer to applications with insulation receptacles		

### Material

Moulding	PA, red, V-0
Comparative Tracking Index	CTI ≥ 600
Insulating Group	I
Temperature Range	-40°C up to 100°C
Solder pin	1,0 x 0,8 mm; tin plated brass
Tab	2,8 x 0,8 mm; tin plated brass

### Approvals

	Current	Voltage	Group	AWG	Nm
	15	300	B		
	15	150	C		
	15	300	B		
	10	300	D, E		

### Options / Accessories

- Consecutive numbering
- Special marking according to drawing
- Self-adhesive marking strip BST-7,50
- Insulation receptacles ISO
- Change of pitch
- Component mix of tab connector versions
- Tab connectors are also individually available (see single tabs GST-900)