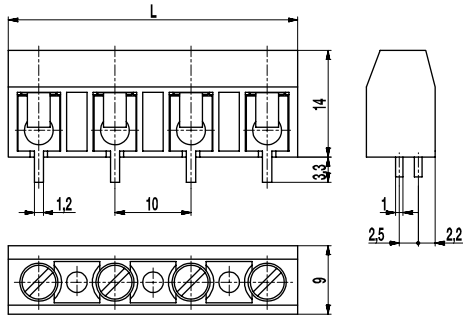
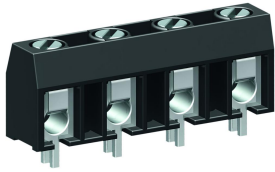


910-Y(-DS)

PCB connector

Screw connection, 2 solder pins per pole



The series 910-Y PCB connector in 10 mm pitch with two solder pins per pole is designed for particularly large wires.

Part Numbers

No. of poles	910-Y	910-Y-DS	Length	PU
2	30.876.002	40.876.002	18,00	250
3	30.876.003	40.876.003	28,00	250
4	30.876.004	40.876.004	38,00	200
5	30.876.005	40.876.005	48,00	100
6	30.876.006	40.876.006	58,00	100
7	30.876.007	40.876.007	68,00	100
8	30.876.008	40.876.008	78,00	100
9	30.876.009	40.876.009	88,00	100
10	30.876.010	40.876.010	98,00	100
11	30.876.011	40.876.011	108,00	100
12	30.876.012	40.876.012	118,00	100

General Information

Pitch	10 mm
No. of poles	2 - 12




Technical Data

Clamping Range	<i>solid / flexible / AWG</i>		
<i>without wire protector</i>	2,5 - 10 mm ² / 2,5 - 6 mm ² / 14 - 10 AWG		
<i>with wire protector</i>	1,5 - 6 mm ² / 1,5 - 4 mm ² / 16 - 12 AWG		
Rated Cross Section	4 mm ²		
Wire Stripping Length	6,5 mm ± 0,5 mm		
Overvoltage Category	III	III	II
Pollution Severity Level	3	2	2
Rated Voltage	500 V	630 V	1000 V
Rated Impulse Voltage	6 kV	6 kV	6 kV
Rated Current	25 A		
Hole in PCB	ø 1,8 mm		
Torque	0,8 Nm		

Material

Moulding	PA, grey, V-0
Comparative Tracking Index	CTI 400
Insulating Group	II
Temperature Range	-40°C up to 100°C
Terminal body	Tin plated brass
Screw	M3,5; zinc plated steel, blue passivated
Solder pin	1,0 x 1,2 mm; tin plated brass
Wire protector	Tin plated tin bronze

Approvals

	Current [A]	Voltage [V]	Group	AWG	[Nm]
	25	300	B	18 - 10	0,79
	25	300	B	22-10 [1]	0,79
	10	300	D, E	22-10 [1]	0,79
	Current [A]	Voltage [V]	[mm ²]		
	32	750	4,0 [2]		

[1] for 910-Y-DS: 26 - 10 AWG

[2] Acc. to IEC 60947-7-4 und IEC 60947-1

Options / Accessories

- Consecutive numbering
- Special marking according to drawing
- Self-adhesive marking strip BST-10,00