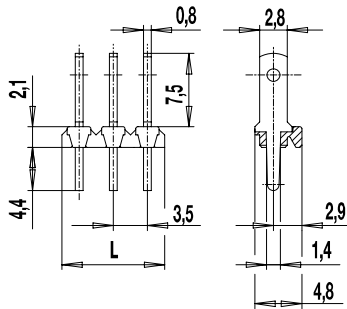


931-FST

Tab connector



The tab connector 931-FST with tabs 2,8 x 0,8 mm can be used both with plug connector 930-FL or 938-FLDS and to connect individual wires with tab receptacles B 2.8-DIN 46 247 whose crimped points must be insulated. The tab connector is inserted in the plug connector 930-FL in direction of the wire entrance, which minimizes the space requirements on the PC board compared to the combination with pin strip 931-SLS or 931-SLR. The receptacles are not parts of our production program.

Part Numbers

No. of poles	931-FST	Length	PU
2	12.893.705	7,00	1000
3	13.893.705	10,50	1000
4	14.893.705	14,00	500
5	15.893.705	17,50	500
6	16.893.705	21,00	500
7	17.893.705	24,50	500
8	18.893.705	28,00	250
9	19.893.705	31,50	200
10	20.893.705	35,00	200
11	21.893.705	38,50	200
12	22.893.705	42,00	250
13	23.893.705	45,50	200
14	24.893.705	49,00	200
15	25.893.705	52,50	200
16	26.893.705	56,00	200

General Information

Pitch	3,5 mm
No. of poles	2 - 16
Usable with	plug connector 930-FL; 938-FLDS; receptacle B 2,8



Technical Data

Overvoltage Category	III	III	II
Pollution Severity Level	3	2	2
Rated Voltage	160 V	160 V	250 V
Rated Impulse Voltage	2,5 kV	2,5 kV	2,5 kV
Rated Insulation Voltage	130 V acc. to EN 60998-1		
Rated Current	7,5 A: with receptacles 2,8; wire 1 mm ² (16 AWG)		
Hole in PCB	ø 1,8 mm		
Other specifications	Rated voltage with insulated receptacles		

Material

Moulding	PA, grey, V-0
Comparative Tracking Index	CTI 250
Insulating Group	IIIa
Temperature Range	-40°C up to 100°C
Solder pin	1,4 x 0,8 mm; tin plated brass
Tab	2,8 x 0,8 mm; tin plated brass

Approvals

	Current [A]	Voltage [V]	Group	AWG	[Nm]
	6	300	B		
	6	300	B		

Options / Accessories

- Pitch of 7 mm for larger clearance and creepage distances