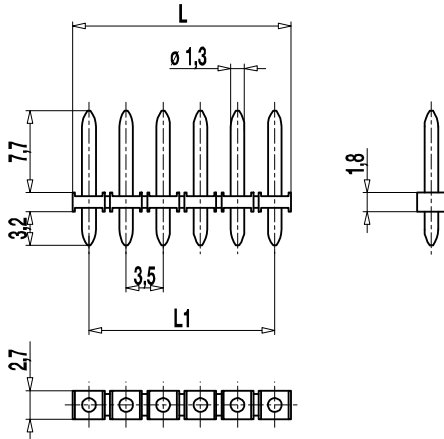
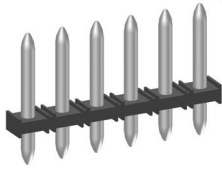


Pin strip for THR

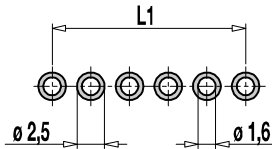
931-SLR-THR-1,3

Soldering/plug-in area \varnothing 1,3 mm



$$L1 = (\text{No. of poles} - 1) \times \text{pitch}$$

PCB Layout



Solder paste thickness: 0,15 - 0,2 mm
Solder pad diameter: \varnothing 2,5 mm

931-SLR-THR-1,3 is a pin strip with 3,5 mm pitch for the application in a reflow soldering process. The high temperature resistant plastic housing has a very high CTI value and is equipped with spacers, so-called stand-offs, which ensure a better hot-air circulation during the reflow soldering process in the convection oven. Beyond this, they assure an improved optical control of the solder joints.

The pin strips of the series 931-SLR-THR-1,3 comes with a constant pin \varnothing of 1,3 mm.

For the automatic assembling process, all pin strip versions are packed Tape on Reel and are equipped with high temperature resistant pick caps, which can comfortably be removed after the soldering process.

Part Numbers

No. of poles	931-SLR-THR-1,3	Length	Pcs
2	12.893.726	6,50	1000
3	13.893.726	10,00	1000
4	14.893.726	13,50	500
5	15.893.726	17,00	500
6	16.893.726	20,50	500
8	18.893.726	27,50	250
10	20.893.726	34,50	200
12	22.893.726	41,50	200
16	26.893.726	55,50	200

further number of poles on request

General Information

Centre to centre spacing	3,5 mm
No. of poles	2 - 16
Usable with	plugs 938-FLDS
Additional Information	Also, please take into consideration the pin strips 931-SLR-SMD-1,3 in genuine surface mount technology.

Technical Data

Overvoltage Category	III	III	II
Pollution Severity Level	3	2	2
Rated Voltage	160 V	160 V	320 V
Rated Impulse Voltage	2,5 kV	2,5 kV	2,5 kV
Rated Insulation Voltage	130 V acc. to EN 60998-1		
Rated Current	6 A		
Soldering process	Wave solder & reflow solder		
Hole in PCB	\varnothing 1,6 mm		
PCB thickness	Wave solder max. 1,6 mm; reflow solder 1,6 - 3,2 mm		

Material

Moulding	PA HT, black, V-0
Comparative Tracking Index	CTI \geq 600
Insulating Group	I
Temperature Range	-40°C up to 150°C; reflow solder temperature (Peak) max. 260°C (15-30 s)
Solder pin	\varnothing 1,3 mm; tin plated brass

Approvals

	Current	Voltage	Group	AWG	Nm
	6	150	B		
	6	300	D		
	6	150	B		
	6	300	D		

Options / Accessories

- Other plug pin lengths on request
- Other solder pin surfaces on request

Part Numbers: Tape-on-Reel

No. of poles	931-SLR-THR-1,3	Tape Width	Tape Height	Pcs
3	13.893.726.A00	32 mm	14,6 mm	500
4	14.893.726.A00	32 mm	14,6 mm	500
5	15.893.726.A00	32 mm	14,6 mm	500
6	16.893.726.A00	56 mm	14,6 mm	500
7	17.893.726.A00	56 mm	14,6 mm	500
8	18.893.726.A00	56 mm	14,6 mm	500
9	19.893.726.A00	56 mm	14,6 mm	500
10	20.893.726.A00	56 mm	14,6 mm	500
11	21.893.726.A00	56 mm	14,6 mm	500
12	22.893.726.A00	72 mm	14,9 mm	500
13	23.893.726.A00	72 mm	14,9 mm	500
14	24.893.726.A00	72 mm	14,9 mm	500

further number of poles on request