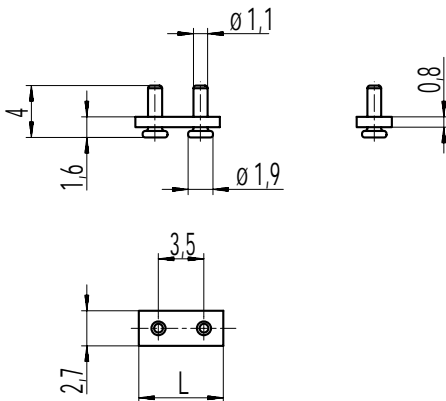
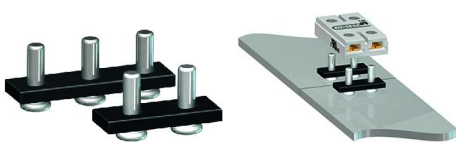
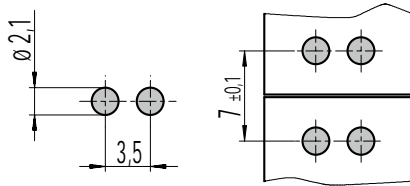


931-SLT-SMD-1,1-L4

Pin strip for SMD
Low profile, 4 mm height



Recommended PCB Layout



Solder paste thickness: 0,15 - 0,2 mm

The pin strip 931-SLR-SMD-1,1-L4 with only 4 mm height is the perfect solution to connect in combination with the PCB connector 930-LC-111 two adjacent LED boards with each other. With this product, the height on the board is kept as small as possible at the same time. The pin strip is suitable for surface mounting and is delivered in Tape-on-Reel with Pick Cap.

Part Numbers

No. of poles	931-SLT-SMD-1,1-L4	Length	PU
2	12.893.719	6,5	250
3	13.893.719	10,0	500

General Information

Pitch	3,5 mm
No. of poles	2 + 3
Usable with	930-LC-111, 930-LP-111
Areas of application	LED Panel bridging

Technical Data

Overvoltage Category	III	III	II
Pollution Severity Level	3	2	2
Rated Voltage	160 V	160 V	320 V
Rated Impulse Voltage	2,5 kV	2,5 kV	2,5 kV
Rated Insulation Voltage	130 V acc. to EN 60998-1		
Rated Current	6 A		
Soldering process	Reflow solder		

Material

Moulding	PA HT, black, V-0
Comparative Tracking Index	CTI ≥ 600 V
Insulating Group	I
Temperature Range	-40°C up to 120°C; reflow solder temperature peak max. 255°C acc. to DIN EN 61760-1
Solder pin	Ø 1,1 mm; tin plated brass

Approvals

	Current [A]	Voltage [V]	Group	AWG	[Nm]
	6 [1]	250			

[1] Acc. to UL 1977 and C22.2 No. 182.3

Part Numbers: Tape-on-Reel

No. of poles	931-SLT-SMD-1,1-L4	Tape Width	Tape Height	PU
2	12.893.719.A00	24 mm	6,6 mm	900
3	13.893.719.A00	24 mm	6,6 mm	900