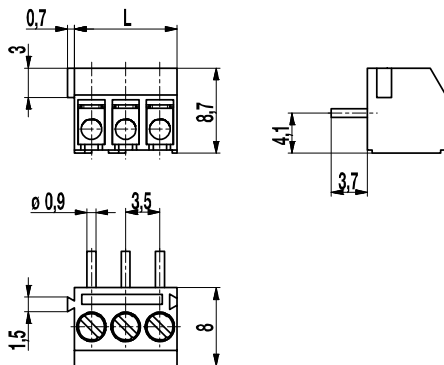
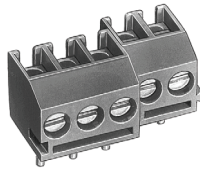


PCB connector

931-T(-DS)

Screw connection, wire entrance vertical to PCB, interlocking



Series 931 Mini PCB connectors are designed with a pitch of 3,5 mm. Identical with Type 931, this design has locking elements which allow mounting the 2 and 3 pole connectors in any required pole number configuration, while maintaining the pitch.

DS-types are provided with wire protection which reliably prevents damage to flexible conductors.

Part Numbers

No. of poles	931-T	931-T-DS	Length	Pcs
2	10.870.102	20.870.102	7,00	250
3	10.870.103	20.870.102	10,50	250

General Information

Pitch	3,5 mm
No. of poles	2 + 3

Technical Data

Clamping Range	<i>solid / flexible / AWG</i>		
<i>without wire protector</i>	0,75 - 1,5 mm ² / 0,75 - 1,5 mm ² / 18 - 16 AWG		
<i>with wire protector</i>	0,34 - 1,5 mm ² / 0,34 - 1 mm ² / 22 - 16 AWG		
Rated Cross Section	1 mm ²		
Wire Stripping Length	5 mm ± 0,5 mm		
Overvoltage Category	III	III	II
Pollution Severity Level	3	2	2
Rated Voltage	160 V	160 V	320 V
Rated Impulse Voltage	2,5 kV	2,5 kV	2,5 kV
Rated Insulation Voltage	130 V acc. to EN 60998-1		
Rated Current	13,5 A		
Hole in PCB	ø 1,2 mm		
Torque	0,2 Nm		

Material

Moulding	PA, grey, V-0
Comparative Tracking Index	CTI ≥ 600
Insulating Group	I
Temperature Range	-40°C up to 100°C
Terminal Body	Tin plated brass
Screw	M2, zinc plated steel, blue passivated
Solder pin	ø 0,9 mm; tin plated brass
Wire protector	German silver

Approvals

	Current	Voltage	Group	AWG	Nm
	10	300	B	26 - 16	0,23
	10	300	B	26 - 16	0,2

Options / Accessories

- Consecutive numbering
- Special marking accord. drawing
- Self-adhesive marking strip BST-3,50
- Pitch of 7 mm for larger clearance and creepage distances