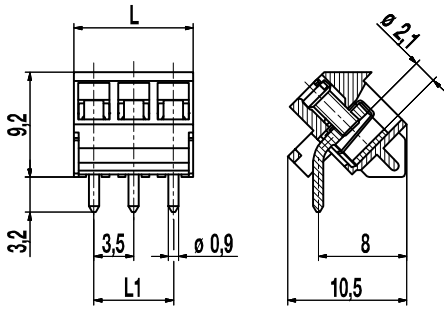


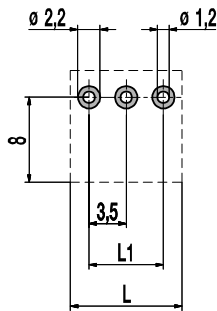
PCB Connector Series 934 for THR

934-THR-DS

Screw connection



PCB Layout



L1 = (No. of poles - 1) x pitch
 Solder paste thickness: 0,15 - 0,2 mm
 Solder pad diameter: \varnothing 2,2 mm

By creating the 934-THR-DS, WECO offers a Through-Hole PCB terminal for the reflow soldering process with 3,5 mm pitch.

The wire entry has a connection angle of 45° to the PCB. This offers the advantage that terminal rows can be located space saving one directly behind the other. Additionally, the connectors can be arranged side by side without a change of the pitch.

The housing material consists of high temperature resistant plastic. Spacers, so-called stand-offs on the base assure an improved hot-air circulation during the reflow soldering process in the convection oven.

The screw connector 934-THR-DS is standardly equipped with captive screws and wire protectors. It is available in 2 to 12 pole versions.

This connector is packed tape on reel for the automatic assembling. It has a flat roof design on the housing at the middle poles in order to create a flat surface for the vacuum pipette.

Our standard connectors are delivered without marking, but can be supplied marked on request.

Articlenumbers

No. of poles	934-THR-DS	Length	Pcs
2	20.879.302	7,00	250
4	20.879.304	14,00	250
6	20.879.306	21,00	200
12	20.879.312	42,00	100

further number of poles on request

General Information

Centre to centre spacing	3,5 mm
No. of poles	2 - 12
Areas of application	Devices with space critical applications or multi-row connections

Technical Data

Clamping Range	solid / flexible / AWG		
	0,25 - 1,5 mm ² / 0,25 - 1 mm ² / 24 - 16 AWG		
Rated Cross Section	1 mm ²		
Wire Stripping Length	5 mm \pm 0,5 mm		
Overvoltage Category	III	III	II
Pollution Severity Level	3	2	2
Rated Voltage	160 V	160 V	320 V
Rated Impulse Voltage	2,5 kV	2,5 kV	2,5 kV
Rated Insulation Voltage	130 V acc. to EN 60998-1		
Rated Current	10 A		
Soldering process	Wave solder & reflow solder		
Hole in PCB	\varnothing 1,2 mm		
Torque	0,2 Nm		
PCB thickness	Wave solder max. 1,6 mm; reflow solder 1,6 mm - 3,2 mm		

Material

Moulding	PA HT, black, V-0		
Comparative Tracking Index	CTI \geq 600		
Insulating Group	I		
Temperature Range	-40°C up to 150°C; reflow solder temperature (Peak) max. 260°C (15-30 s)		
Terminal Body	Tin plated brass		
Screw	M2, steel, tin plated, blue passivated		
Solder pin	\varnothing 0,9 mm; tin plated brass		
Wire protector	German silver		

Approvals

	Current	Voltage	Group	AWG	Nm
	10	300	B	26 - 16	0,23
	10	300	B	26 - 16	0,2

Options / Accessories

- Consecutive numbering
- Special marking accord. drawing
- Self-adhesive marking strip
- Other plug pin lengths on request

Articlenumbers: Tape-on-Reel

No. of poles	934-THR-DS	Tape Width	Tape Height	Pcs
2	20.879.302.A00	32 mm	15,2 mm	300
3	20.879.303.A00	32 mm	15,2 mm	300
4	20.879.304.A00	32 mm	15,2 mm	300
5	20.879.305.A00	32 mm	15,2 mm	300

further number of poles on request