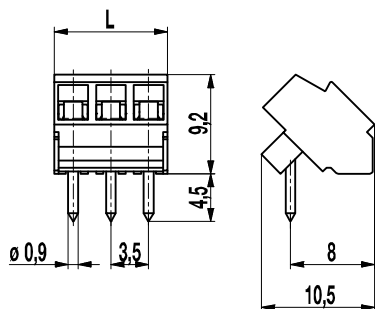


## PCB connector

### 934(-DS)

Screw connection 45°-angle to PCB



Series 934 Mini PCB connectors are designed with a pitch of 3,5 mm, can be mounted side-by-side without pole loss, and come equipped with captive screws. The wire entrance is located in a 45° angle to the PC board. This allows a space-saving arrangement of the connectors directly behind each other. DS-types are provided with wire protection which reliably prevents damage to flexible conductors.

#### Part Numbers

No. of poles	934	934-DS	Length	Pcs
2	10.870.552	20.870.552	7,00	250
3	10.870.553	20.870.553	10,50	250
4	10.870.554	20.870.554	14,00	250
5	10.870.555	20.870.555	17,50	200
6	10.870.556	20.870.556	21,00	200
7	10.870.557	20.870.557	24,50	100
8	10.870.558	20.870.558	28,00	100
9	10.870.559	20.870.559	31,50	100
10	10.870.560	20.870.560	35,00	100
11	10.870.561	20.870.561	38,50	100
12	10.870.562	20.870.562	42,00	100
13	10.870.563	20.870.563	45,50	100
14	10.870.564	20.870.564	49,00	100
15	10.870.565	20.870.565	52,50	100
16	10.870.566	20.870.566	56,00	100
17	10.870.567	20.870.567	59,50	100
18	10.870.568	20.870.568	63,00	100
19	10.870.569	20.870.569	66,50	100
20	10.870.570	20.870.570	70,00	100
21	10.870.571	20.870.571	73,50	100
22	10.870.572	20.870.572	77,00	100
23	10.870.573	20.870.573	80,50	100
24	10.870.574	20.870.574	84,00	100

#### General Information

Pitch	3,5 mm
No. of poles	2 - 24

#### Technical Data

Clamping Range	<i>solid / flexible / AWG</i>		
<i>without wire protector</i>	0,75 - 1,5 mm <sup>2</sup> / 0,75 - 1,5 mm <sup>2</sup> / 18 - 16 AWG		
<i>with wire protector</i>	0,34 - 1,5 mm <sup>2</sup> / 0,34 - 1 mm <sup>2</sup> / 22 - 16 AWG		
Rated Cross Section	1 mm <sup>2</sup>		
Wire Stripping Length	5 mm ± 0,5 mm		
Overvoltage Category	III	III	II
Pollution Severity Level	3	2	2
Rated Voltage	160 V	160 V	320 V
Rated Impulse Voltage	2,5 kV	2,5 kV	2,5 kV
Rated Insulation Voltage	130 V acc. to EN 60998-1		
Rated Current	13,5 A		
Hole in PCB	ø 1,2 mm		
Torque	0,2 Nm		

#### Material

Moulding	PA, grey, V-0
Comparative Tracking Index	CTI ≥ 600
Insulating Group	I
Temperature Range	-40°C up to 100°C
Terminal Body	Tin plated brass
Screw	M2, zinc plated steel, blue passivated
Solder pin	ø 0,9 mm; tin plated brass
Wire protector	German silver

#### Approvals

	Current	Voltage	Group	AWG	Nm
	10	300	B	26 - 16	0,23
	10	300	B	26 - 16	0,2

#### Options / Accessories

- Consecutive numbering
- Special marking accord. drawing
- Self-adhesive marking strip BST-3,50
- Pitch of 7 mm for larger clearance and creepage distances