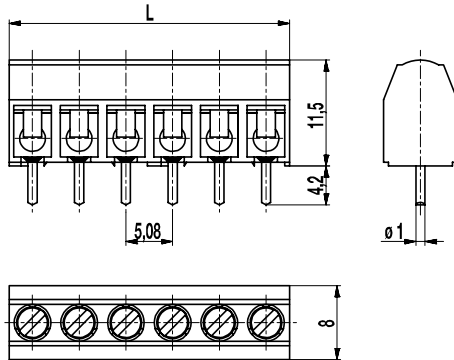
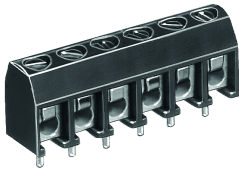


940(-DS)

PCB connector
Screw connection



PCB connectors 940 with a pitch of 5,08 mm are available in 2- to 32-pole design and can be mounted side-by-side without pole loss.

Wire protection in DS-design reliably prevents damage to stranded wires by the screw.

The screws are secured against self-loosening.

Part Numbers

No. of poles	940	940-DS	Length	PU
2	10.877.002	20.877.002	10,16	250
3	10.877.003	20.877.003	15,24	250
4	10.877.004	20.877.004	20,32	200
5	10.877.005	20.877.005	25,40	100
6	10.877.006	20.877.006	30,48	100
7	10.877.007	20.877.007	35,56	100
8	10.877.008	20.877.008	40,64	100
9	10.877.009	20.877.009	45,72	100
10	10.877.010	20.877.010	50,80	100
11	10.877.011	20.877.011	55,88	100
12	10.877.012	20.877.012	60,96	100
13	10.877.013	20.877.012	66,04	100
14	10.877.014	20.877.014	71,12	100
15	10.877.015	20.877.015	76,20	100
16	10.877.016	20.877.016	81,28	100
17	10.877.017	20.877.017	86,36	100
18	10.877.018	20.877.018	91,44	100
19	10.877.019	20.877.019	96,52	100
20	10.877.020	20.877.020	101,60	100
21	10.877.021	20.877.021	106,68	100
22	10.877.022	20.877.022	111,76	100
23	10.877.023	20.877.023	116,84	100
24	10.877.024	20.877.024	121,94	100

further number of poles on request

General Information

Pitch	5,08 mm
No. of poles	2 - 32



Technical Data

Clamping Range	<i>solid / flexible / AWG</i>		
	<i>without wire protector</i>	0,75 - 4 mm ² / 0,75 - 2,5 mm ² / 18 - 12 AWG	
	<i>with wire protector</i>	0,34 - 2,5 mm ² / 0,34 - 2,5 mm ² / 22 - 14 AWG	
Rated Cross Section	1,5 mm ²		
Wire Stripping Length	6 mm ± 0,5 mm		
Overvoltage Category	III	III	II
Pollution Severity Level	3	2	2
Rated Voltage	250 V (200 V)	320 V	630 V (400 V)
Rated Impulse Voltage	4 kV	4 kV	4 kV
Rated Insulation Voltage	250 V acc. to EN 60998-1		
Rated Current	17,5 A		
Hole in PCB	ø 1,3 mm		
Torque	0,4 Nm		
Other specifications	Voltage data in brackets are valid for 9-32 poles types. 2-8 poles types: "no-flame" acc. to glow-wire test.		

Material

Moulding	PA, grey, V-0
Comparative Tracking Index	2-8 poles: CTI ≥ 600; 9-32 poles: CTI 400
Insulating Group	2-8 poles: I; 9-32 poles: II
Temperature Range	-40°C up to 100°C
Terminal body	Tin plated brass
Screw	M2,6; zinc plated steel, blue passivated
Solder pin	ø 1 mm; tin plated copper alloy
Wire protector	Tin plated tin bronze

Approvals

	Current [A]	Voltage [V]	Group	AWG	[Nm]
	15	300	B	26 - 14	0,4
	15	300	B	26 - 14	0,4

Options / Accessories

- Consecutive numbering
- Special marking according to drawing
- Self-adhesive marking strip BST-5,08
- Longer solder pins up to 75 mm