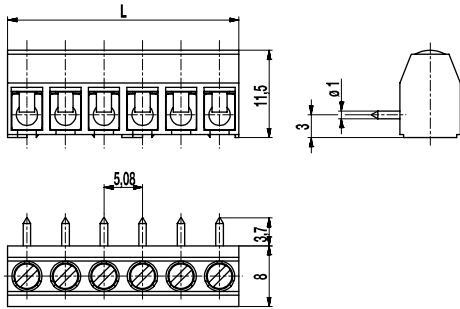
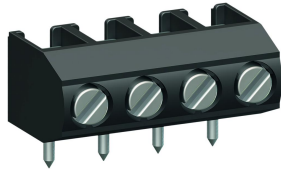


# 941(-DS)

PCB connector

Screw connection, wire entrance vertical to PCB



The PCB connector 941 is the horizontal version of 940 with a pitch of 5,08 mm and available in 2- to 32-pole design. It can be mounted side-by-side without pole loss.

The wire entrance is vertical to the PCB.

Wire protection in DS-design reliably prevents damage to stranded wires by the screw.

The screws are secured against self-loosening.

## Part Numbers

No. of poles	941	941-DS	Length	PU
2	10.877.102	20.877.102	10,16	250
3	10.877.103	20.877.103	15,24	250
4	10.877.104	20.877.104	20,32	200
5	10.877.105	20.877.105	25,40	100
6	10.877.106	20.877.106	30,48	100
7	10.877.107	20.877.107	35,56	100
8	10.877.108	20.877.108	40,64	100
9	10.877.109	20.877.109	45,72	100
10	10.877.110	20.877.110	50,80	100
11	10.877.111	20.877.111	55,88	100
12	10.877.112	20.877.112	60,96	100
13	10.877.113	20.877.112	66,04	100
14	10.877.114	20.877.114	71,12	100
15	10.877.115	20.877.115	76,20	100
16	10.877.116	20.877.116	81,28	100
17	10.877.117	20.877.117	86,36	100
18	10.877.118	20.877.118	91,44	100
19	10.877.119	20.877.119	96,52	100
20	10.877.120	20.877.120	101,60	100
21	10.877.121	20.877.121	106,68	100
22	10.877.122	20.877.122	111,76	100
23	10.877.123	20.877.123	116,84	100
24	10.877.124	20.877.124	121,92	100

further number of poles on request

## General Information

Pitch 5,08 mm

No. of poles 2 - 32



## Technical Data

Clamping Range	<i>solid / flexible / AWG</i>		
	<i>without wire protector</i>	0,75 - 4 mm <sup>2</sup> / 0,75 - 2,5 mm <sup>2</sup> / 18 - 12 AWG	
	<i>with wire protector</i>	0,34 - 2,5 mm <sup>2</sup> / 0,34 - 2,5 mm <sup>2</sup> / 22 - 14 AWG	
Rated Cross Section	1,5 mm <sup>2</sup>		
Wire Stripping Length	5 mm ± 0,5 mm		
Overvoltage Category	III	III	II
Pollution Severity Level	3	2	2
Rated Voltage	160 V	160 V	320 V (250 V)
Rated Impulse Voltage	2,5 kV	2,5 kV	2,5 kV
Rated Insulation Voltage	130 V acc. to EN 60998-1		
Rated Current	17,5 A		
Hole in PCB	ø 1,3 mm		
Torque	0,4 Nm		
Other specifications	Voltage data in brackets are valid for 9-32 poles types. 2-8 poles types: "no-flame" acc. to glow-wire test.		

## Material

Moulding	PA, grey, V-0
Comparative Tracking Index	2-8 poles: CTI ≥ 600; 9-32 poles: CTI 250
Insulating Group	2-8 poles: I; 9-32 poles: IIIa
Temperature Range	-40°C up to 100°C
Terminal body	Tin plated brass
Screw	M2,6; zinc plated steel, blue passivated
Solder pin	ø 1 mm; tin plated brass
Wire protector	Tin plated tin bronze

## Approvals

	Current [A]	Voltage [V]	Group	AWG	[Nm]
	15	300	B	26 - 14	0,4
	15	300	B	26 - 14	0,4

## Options / Accessories

- Consecutive numbering
- Special marking according to drawing
- Self-adhesive marking strip BST-5,08