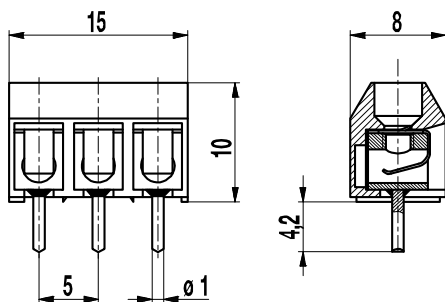


## Socket terminal strip

### 950-FB

Plug connection



The socket terminal strip 950-FB with a pitch of 5 mm is available in 2- to 32-pole design and can be mounted side-by-side without pole loss. It is suitable to connect two PCBs using male pin strips of the series 971-SLR, -SLS oder -SLW. For this version, the plug direction for mating connectors is parallel to the PCB.

The contact pressure is achieved by means of a stainless steel spring with extra-long spring deflection.

For longer clearance and creepage distances, socket terminal strips are also available in a larger pitch.

### Part Numbers

No. of poles	950-FB	Length	Pcs
2	80.871.006	10,00	250
3	80.871.053	15,00	250
4	80.871.054	20,00	100
5	80.871.055	25,00	100
6	80.871.056	30,00	100
7	80.871.001	35,00	100
8	80.871.008	40,00	100
9	80.871.009	45,00	100
10	80.871.010	50,00	100
11	80.871.011	55,00	100
12	80.871.062	60,00	100
13	80.871.063	65,00	100
14	80.871.064	70,00	100
15	80.871.065	75,00	100
16	80.871.066	80,00	100
17	80.871.067	85,00	100
18	80.871.068	90,00	100
19	80.871.069	95,00	100
20	80.871.070	100,00	100
21	80.871.071	105,00	100
22	80.871.072	110,00	100
23	80.871.073	115,00	100
24	80.871.074	120,00	100
25	80.871.075	125,00	100
26	80.871.076	130,00	100
27	80.871.077	135,00	100
28	80.871.078	140,00	100
29	80.871.079	145,00	100

further number of poles on request

### General Information

Pitch	5 mm
No. of poles	2 - 32
Usable with	plug connector 951-SV

### Technical Data

Overvoltage Category	III	III	II
Pollution Severity Level	3	2	2
Rated Voltage	160 V	160 V	320 V
Rated Impulse Voltage	2,5 kV	2,5 kV	2,5 kV
Rated Insulation Voltage	130 V acc. to EN 60998-1		
Rated Current	6 A		
Hole in PCB	$\varnothing 1,3$ mm		
Other specifications	2-8 poles types are "no-flame" acc. to glow-wire test		

### Material

Moulding	PA, grey, V-0
Comparative Tracking Index	2-8 poles: CTI $\geq$ 600; 9-32 poles: CTI 400
Insulating Group	2-8 poles: I; 9-32 poles: II
Temperature Range	-40°C up to 100°C
Terminal body	Tin plated brass
Solder pin	$\varnothing 1$ mm; tin plated copper
Spring	Stainless strip steel

### Approvals

	Current	Voltage	Group	AWG	Nm
	7	300	B		
	7	300	B		
	Current	Voltage	mm <sup>2</sup>		
	13,5	250			

### Options / Accessories

- Consecutive numbering
- Special marking according to drawing
- Self-adhesive marking strip BST-5,00
- Pitch of 10 mm for larger clearance and creepage distances
- Longer P.C. pins up to 75 mm
- Version with lateral latching elements