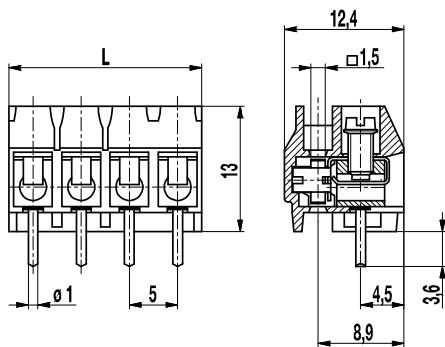
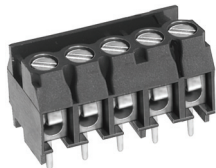


Plug connector

950-GFL-DS

Screw connection, with solder pin



Application example - thermostat housing:

The plug connectors are soldered in the basic housing and their leads are wired externally. Subsequently, the control panel, equipped with corresponding pin strips, is slotted in from above and then connected.

Part Numbers

No. of poles	950-GFL-DS	Length	Pcs
2	20.871.952	10,00	250
3	20.871.953	15,00	250
4	20.871.954	20,00	250
5	20.871.955	25,00	100
6	20.871.956	30,00	100
7	20.871.957	35,00	100
8	20.871.958	40,00	100
9	20.871.959	45,00	100
10	20.871.960	50,00	50
11	20.871.961	55,00	50
12	20.871.962	60,00	50
13	20.871.963	65,00	50
14	20.871.964	70,00	50
15	20.871.965	75,00	50
16	20.871.966	80,00	50
17	20.871.967	85,00	50
18	20.871.968	90,00	50
19	20.871.969	95,00	25
20	20.871.970	100,00	25
21	20.871.971	105,00	25
22	20.871.972	110,00	25
23	20.871.973	115,00	25
24	20.871.974	120,00	25

General Information

Pitch	5 mm
No. of poles	2 - 24
Usable with	pin strips of series 971

Technical Data

Clamping Range	<i>solid / flexible / AWG</i>		
	0,34 - 2,5 mm ² / 0,34 - 2,5 mm ² / 22 - 14 AWG		
Rated Cross Section	1,5 mm ²		
Wire Stripping Length	6 mm ± 0,5 mm		
Overvoltage Category	III	III	II
Pollution Severity Level	3	2	2
Rated Voltage	250 V (200 V)	320 V	630 V (400 V)
Rated Impulse Voltage	4 kV	4 kV	4 kV
Rated Insulation Voltage	250 V acc. to EN 60998-1		
Rated Current	6 A		
Torque	0,4 Nm		
Other specifications	Voltage data in brackets are valid for 13-24 poles types. 2-12 pole types are "no-flame" acc. to glow-wire test.		

Material

Moulding	PA, grey, V-0
Comparative Tracking Index	2-12 poles: CTI ≥ 600; 13-24 poles: CTI 400
Insulating Group	2-12 poles: I; 13-24 poles: II
Temperature Range	-40°C up to 100°C
Terminal body	Nickel plated brass
Screw	M2,6; zinc plated steel, blue passivated
Wire protector	Tin plated tin bronze
Spring	Tin plated tin bronze

Approvals

	Current	Voltage	Group	AWG	Nm
	10	300	B	26 - 14	0,4
	10	300	B	26 - 14	0,4

Options / Accessories

- Consecutive numbering
- Special marking according to drawing
- Self-adhesive marking strip BST-5,00
- Pitch of 10 mm for larger clearance and creepage distances