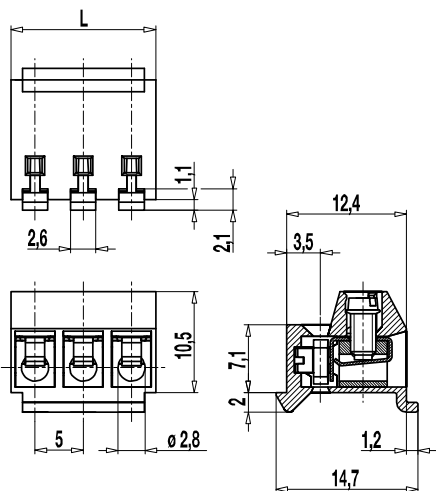


PCB Plug-In Connector Series 950

950-NLFL-DS

Screw connection



Part Numbers

No. of poles	950-NLFL-DS	Length	Pcs
2	20.871.772	10,00	250
3	20.871.773	15,00	250
4	20.871.774	20,00	100
5	20.871.775	25,00	100
6	20.871.776	30,00	100
7	20.871.777	35,00	100
8	20.871.778	40,00	100
9	20.871.779	45,00	100
10	20.871.780	50,00	50
11	20.871.781	60,00	50
12	20.871.782	65,00	50

General Information

Centre to centre spacing	5 mm
No. of poles	2 - 12
Usable with	pin strips series 971
Accessories	Self-adhesive marking strip BST-5,0
Additional Information	With locking foot

Technical Data

Clamping Range	solid / flexible / AWG 0,34 - 2,5 mm ² / 0,34 - 1,5 mm ² / 22 - 14 AWG		
Rated Cross Section	1,5 mm ²		
Wire Stripping Length	6 mm ± 0,5 mm		
Overvoltage Category	III	III	II
Pollution Severity Level	3	2	2
Rated Voltage	320 V	320 V	630 V
Rated Impulse Voltage	4 kV	4 kV	4 kV
Rated Insulation Voltage	250 V acc. to EN 60998-1		
Rated Current	6 A		
Torque	0,4 Nm		
Other specifications	Plug with LST-1,3; III-3-160 V-2,5 kV		

Material

Moulding	PA, black, V-0
Comparative Tracking Index	CTI ≥ 600
Insulating Group	I
Temperature Range	-40°C up to 100°C
Terminal Body	Nickel plated brass
Screw	M2,6; zinc plated steel, blue passivated
Wire protector	Tin plated bronze
Spring	Tin plated bronze

Approvals

	Current	Voltage	Group	AWG	Nm
	10	300	B	26 - 14	0,4
	10	300	B	26 - 14	0,4

Options / Accessories

- Consecutive numbering
- Special marking accord. drawing
- Centre to centre spacing 10 mm