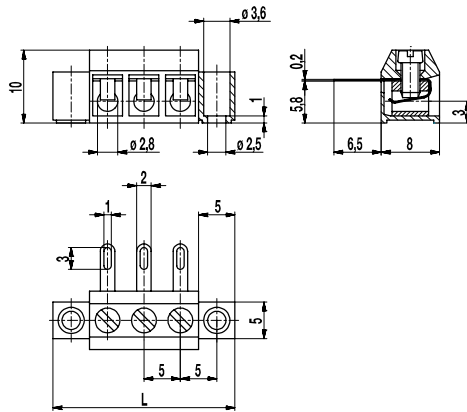
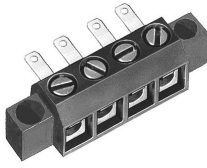


# 951-A-LFDS

Screw/solder terminal strip  
Screw/solder tag connection



The screw/solder terminal strip 951-A-LFDS with a pitch of 5 mm is available in 2- to 12-pole design.

It requires only little mounting space and is well suited for low-voltage applications.

The solder tag is formed as a wire protector. The wire protection reliably prevents damage to multi-wire flexible conductors by the turning screw.

The moulding can also be mounted using the lateral flanges.

## General Information

Pitch	5 mm
No. of poles	2 - 12

## Technical Data

Clamping Range	<i>solid / flexible / AWG</i>		
	0,34 - 2,5 mm <sup>2</sup> / 0,34 - 2,5 mm <sup>2</sup> / 22 - 14 AWG		
Rated Cross Section	1,5 mm <sup>2</sup>		
Wire Stripping Length	6 mm ± 0,5 mm		
Overvoltage Category	III	III	II
Pollution Severity Level	3	2	2
Rated Voltage	160 V	160 V	320 V
Rated Impulse Voltage	2,5 kV	2,5 kV	2,5 kV
Rated Insulation Voltage	130 V acc. to EN 60998-1		
Rated Current	6 A		
Torque	0,4 Nm		



## Material

Moulding	PA, grey, V-0
Comparative Tracking Index	CTI ≥ 600
Insulating Group	I
Temperature Range	-40°C up to 100°C
Terminal Body	Nickel plated brass
Screw	M2,6; zinc plated steel, blue passivated
Wire protector	Tin plated tin bronze

## Part Numbers

No. of poles	951-A-LFDS	Length	PU
2	20.871.252	20,00	250
3	20.871.253	25,00	250
4	20.871.254	30,00	200
5	20.871.255	35,00	100
6	20.871.256	40,00	100
7	20.871.257	45,00	100
8	20.871.258	50,00	100
9	20.871.259	55,00	100
10	20.871.260	60,00	50
11	20.871.261	65,00	50
12	20.871.262	70,00	50

## Approvals

	Current [A]	Voltage [V]	Group	AWG	[Nm]
	15	300	B	26 - 14	0,4
	15	300	B	26 - 14	0,4

## Options / Accessories

- Consecutive numbering
- Special marking according to drawing
- Self-adhesive marking strip BST-5,00
- Larger number of poles