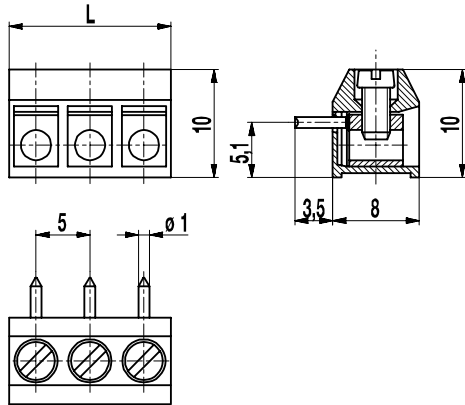
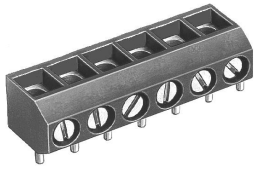


951-HG(-DS)

PCB connector

Screw connection, wire entrance vertical to PCB, extended insertion length



The PCB connector 951-HG has a solder pin welded on top of the socket bore, which expands the insertion length to series 950 socket depth. Extra-long solder pins are available upon request.

The wire entrance is vertical to the PCB.

Wire protection in DS-design reliably prevents damage to stranded wires by the screw.

Part Numbers

No. of poles	951-HG	951-HG-DS	Length	PU
2	10.871.202	20.871.202	10,00	250
3	10.871.203	20.871.203	15,00	250
4	10.871.204	20.871.204	20,00	200
5	10.871.205	20.871.205	25,00	100
6	10.871.206	20.871.206	30,00	100
7	10.871.207	20.871.207	35,00	100
8	10.871.208	20.871.208	40,00	100
9	10.871.209	20.871.209	45,00	100
10	10.871.210	20.871.210	50,00	100
11	10.871.211	20.871.211	55,00	100
12	10.871.212	20.871.212	60,00	100
13	10.871.213	20.871.212	65,00	100
14	10.871.214	20.871.214	70,00	100
15	10.871.215	20.871.215	75,00	100
16	10.871.216	20.871.216	80,00	100
17	10.871.217	20.871.217	85,00	100
18	10.871.218	20.871.218	90,00	100
19	10.871.219	20.871.219	95,00	100
20	10.871.220	20.871.220	100,00	100
21	10.871.221	20.871.221	105,00	100
22	10.871.222	20.871.222	110,00	100
23	10.871.223	20.871.223	115,00	100
24	10.871.224	20.871.224	120,00	100
25	10.871.225	20.871.225	125,00	100
26	10.871.226	20.871.226	130,00	100
27	10.871.227	20.871.227	135,00	100
28	10.871.228	20.871.228	140,00	100
29	10.871.229	20.871.229	145,00	100

further number of poles on request

General Information

Pitch	5 mm
No. of poles	2 - 32




Technical Data

Clamping Range	<i>solid / flexible / AWG</i>		
<i>without wire protector</i>	0,75 - 4 mm ² / 0,75 - 2,5 mm ² / 18 - 12 AWG		
<i>with wire protector</i>	0,34 - 2,5 mm ² / 0,34 - 2,5 mm ² / 22 - 14 AWG		
Rated Cross Section	1,5 mm ²		
Wire Stripping Length	6 mm ± 0,5 mm		
Overvoltage Category	III	III	II
Pollution Severity Level	3	2	2
Rated Voltage	160 V	160 V	320 V
Rated Impulse Voltage	2,5 kV	2,5 kV	2,5 kV
Rated Current	17,5 A		
Hole in PCB	ø 1,3 mm		
Torque	0,4 Nm		
Other specifications	Voltage data in brackets are valid for 9-32 poles types. 2-8 poles types are "no-flame" acc. to glow-wire test.		

Material

Moulding	PA, grey, V-0
Comparative Tracking Index	2-8 poles: CTI ≥ 600; 9-32 poles: CTI 400
Insulating Group	2-8 poles: I; 9-32 poles: II
Temperature Range	-40°C up to 100°C
Terminal body	Tin plated brass
Screw	M2,6; zinc plated steel, blue passivated
Solder pin	ø 1 mm; tin plated copper
Wire protector	Tin plated tin bronze

Approvals

	Current [A]	Voltage [V]	Group	AWG	[Nm]
	15	300	B	26 - 14	0,4
	15	300	B	26 - 14	0,4
	Current [A]	Voltage [V]	[mm ²]		
	17,5	160	1,5 [1]		

[1] Acc. to IEC 60947-7-4 und IEC 60947-1

Options / Accessories

- Consecutive numbering
- Special marking according to drawing
- Self-adhesive marking strip BST-5,00
- Longer P.C. pins up to 75 mm