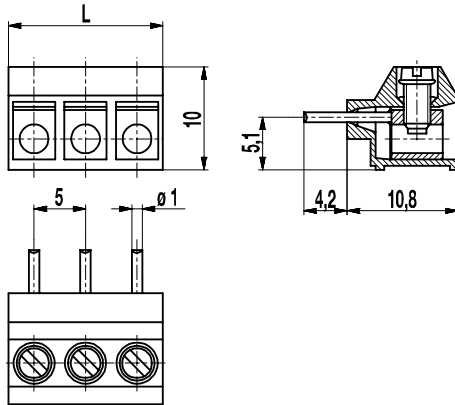


951-LH(-DS)

PCB connector

Screw connection, wire entrance vertical to PCB, pottable



The 951-LH series PCB screw connector with a pitch of 5 mm is particularly suited for potting printed circuits. For such potting applications, the solder pin is sealed at the housing opening against seeping casting resin. This PCB screw connector with a pitch of 5 mm is available in 2- to 12-pole design and can be mounted side-by-side without pole loss.

Wire protection in DS-design reliably prevents damage to stranded wires by the screw.

The wire entrance is vertical to the PCB - the casting resin surface is also vertical to the wire entrance. Version 950-LH alternatively provides wire entrance parallel to the PCB.

Part Numbers

No. of poles	951-LH	951-LH-DS	Length	PU
2	15.871.452	25.871.452	10,00	250
3	15.871.453	25.871.453	15,00	250
4	15.871.454	25.871.454	20,00	200
5	15.871.455	25.871.455	25,00	100
6	15.871.456	25.871.456	30,00	100
7	15.871.457	25.871.457	35,00	100
8	15.871.458	25.871.458	40,00	100
9	15.871.459	25.871.459	45,00	100
10	15.871.460	25.871.460	50,00	100
11	15.871.461	25.871.461	55,00	100
12	15.871.462	25.871.462	60,00	100

General Information

Pitch	5 mm
No. of poles	2 - 12



Technical Data

Clamping Range	<i>solid / flexible / AWG</i>		
<i>without wire protector</i>	0,75 - 2,5 mm ² / 0,75 - 2,5 mm ² / 18 - 14 AWG		
<i>with wire protector</i>	0,34 - 2,5 mm ² / 0,34 - 2,5 mm ² / 22 - 14 AWG		
Rated Cross Section	1,5 mm ²		
Wire Stripping Length	6 mm ± 0,5 mm		
Overvoltage Category	III	III	II
Pollution Severity Level	3	2	2
Rated Voltage	160 V	160 V	320 V
Rated Impulse Voltage	2,5 kV	2,5 kV	2,5 kV
Rated Insulation Voltage	130 V acc. to EN 60998-1		
Rated Current	17,5 A		
Hole in PCB	ø 1,3 mm		
Torque	0,4 Nm		

Material

Moulding	PA, grey, V-0
Comparative Tracking Index	CTI ≥ 600
Insulating Group	I
Temperature Range	-40°C up to 100°C
Terminal body	Tin plated brass
Screw	M2,6; zinc plated steel, blue passivated
Solder pin	ø 1 mm; tin plated copper
Wire protector	Tin plated tin bronze

Approvals

	Current [A]	Voltage [V]	Group	AWG	[Nm]
	15	300	B	26 - 14	0,4
	15	300	B	26 - 14	0,4

Options / Accessories

- Consecutive numbering
- Special marking according to drawing
- Self-adhesive marking strip BST-5,00
- Pitch of 10 mm for larger clearance and creepage distances
- Other solder pin lengths on request