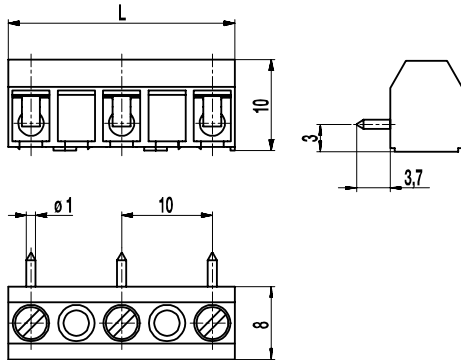
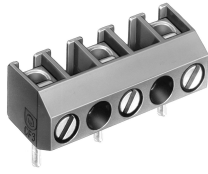


## 953(-DS)

PCB connector

Screw connection, wire entrance vertical to PCB



PCB connector 953 is the horizontal version of 952 and with a pitch of 10 mm available in 2- to 16-pole design. It is a very space saving PCB connector.

Wire protection in DS-design reliably prevents damage to stranded wires by the screw.

The wire entrance is vertical to the PCB.

The screws are secured against self-loosening.

### Part Numbers

No. of poles	953	953-DS	Length	PU
2	12.871.083	22.871.083	15,00	250
3	12.871.085	22.871.085	25,00	100
4	12.871.022	22.871.022	35,00	100
5	12.871.019	22.871.019	45,00	100
6	12.871.021	22.871.021	55,00	100
7	12.871.023	22.871.023	65,00	100
8	12.871.025	22.871.025	75,00	100
9	12.871.027	22.871.027	85,00	100
10	12.871.029	22.871.029	95,00	100
11	12.871.031	22.871.031	105,00	100
12	12.871.039	22.871.039	115,00	100
13	12.871.041	22.871.039	125,00	100
14	12.871.037	22.871.037	135,00	100
15	12.871.089	22.871.089	145,00	100
16	12.871.091	22.871.091	155,00	100

### General Information

Pitch 10 mm

No. of poles 2 - 16



### Technical Data

Clamping Range	<i>solid / flexible / AWG</i>		
<i>without wire protector</i>	0,75 - 4 mm <sup>2</sup> / 0,75 - 2,5 mm <sup>2</sup> / 18 - 12 AWG		
<i>with wire protector</i>	0,34 - 2,5 mm <sup>2</sup> / 0,34 - 2,5 mm <sup>2</sup> / 22 - 14 AWG		
Rated Cross Section	1,5 mm <sup>2</sup>		
Wire Stripping Length	5 mm ± 0,5 mm		
Overvoltage Category	III	III	II
Pollution Severity Level	3	2	2
Rated Voltage	630 V (500 V)	630 V	1000 V
Rated Impulse Voltage	6 kV	6 kV	6 kV
Rated Insulation Voltage	750 V acc. to EN 60998-1		
Rated Current	17,5 A		
Hole in PCB	ø 1,3 mm		
Torque	0,4 Nm		
Other specifications	Rated voltage in brackets applies to 5-16-pole connectors, "no-flame" according to glow wire test applies to 2-4-pole connectors.		

### Material

Moulding	PA, grey, V-0
Comparative Tracking Index	2-4 poles: CTI ≥ 600; 5-16 poles: CTI 400
Insulating Group	2-4 poles: I; 5-16 poles: II
Temperature Range	-40°C up to 100°C
Terminal body	Tin plated brass
Screw	M2,6; zinc plated steel, blue passivated
Solder pin	ø 1 mm; tin plated copper
Wire protector	Tin plated tin bronze

### Approvals

	Current [A]	Voltage [V]	Group	AWG	[Nm]
	15	300	B	26 - 14	0,4
	10	300	D	26 - 14	0,4
	15	300	B	26 - 14	0,4
	10	300	D, E	26 - 14	0,4

### Options / Accessories

- Consecutive numbering
- Special marking according to drawing
- Self-adhesive marking strip BST-10,00