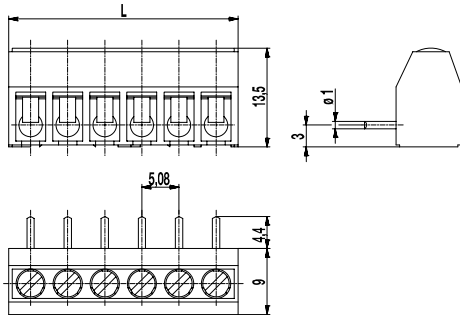
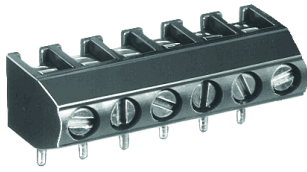


961(-DS)

PCB connector

Screw connection, wire entrance vertical to PCB



The PCB connector 961 is the horizontal version of 960 with a pitch of 5,08 mm and available in 2- to 32-pole design. It can be mounted side-by-side without pole loss.

The wire entrance is vertical to the PCB.

Compared to the smaller PCB connector 941, it has a larger clamping range and larger clearance and creepage distances.

Wire protection in DS-design reliably prevents damage to stranded wires by the screw.

The screws are secured against self-loosening.

For the grid connection, these PCB connectors are equipped with a M3 thread.

Part Numbers

No. of poles	961	961-DS	Length	PU
2	10.878.102	20.878.102	11,16	250
3	10.878.103	20.878.103	16,24	250
4	10.878.104	20.878.104	21,32	200
5	10.878.105	20.878.105	26,40	100
6	10.878.106	20.878.106	31,48	100
7	10.878.107	20.878.107	36,56	100
8	10.878.108	20.878.108	41,64	100
9	10.878.109	20.878.109	46,72	100
10	10.878.110	20.878.110	51,80	100
11	10.878.111	20.878.111	56,88	100
12	10.878.112	20.878.112	61,96	100
13	10.878.113	20.878.112	67,04	100
14	10.878.114	20.878.114	72,12	100
15	10.878.115	20.878.115	77,20	100
16	10.878.116	20.878.116	82,28	100
17	10.878.117	20.878.117	87,36	100
18	10.878.118	20.878.118	92,44	100
19	10.878.119	20.878.119	97,52	100
20	10.878.120	20.878.120	102,60	100
21	10.878.121	20.878.121	107,68	100
22	10.878.122	20.878.122	112,76	100
23	10.878.123	20.878.123	117,84	100
24	10.878.124	20.878.124	122,92	100
26	10.878.126	20.878.126	133,09	100
28	10.878.128	20.878.128	143,24	100
30	10.878.130	20.878.130	153,40	100
32	10.878.132	20.878.132	163,56	100

further number of poles on request

General Information

Pitch 5,08 mm

No. of poles 2 - 32

Technical Data

Clamping Range *solid / flexible / AWG*

without wire protector 1 - 6 mm² / 1 - 2,5 mm² / 16 - 12 AWG

with wire protector 0,75 - 4 mm² / 0,75 - 2,5 mm² / 18 - 12 AWG

Rated Cross Section 2,5 mm²

Wire Stripping Length 5,5 mm ± 0,5 mm

Overvoltage Category	III	III	II
Pollution Severity Level	3	2	2
Rated Voltage	250 V	320 V	630 V (500 V)
Rated Impulse Voltage	4 kV	4 kV	4 kV

Rated Insulation Voltage 250 V acc. to EN 60998-1

Rated Current 24 A

Hole in PCB ø 1,3 mm

Torque 0,5 Nm

Other specifications Voltage data in brackets are valid for 9-32 poles types. 2-8 poles types: "no-flame" acc. to glow-wire test.

Material

Moulding PA, grey, V-0

Comparative Tracking Index 2-8 poles: CTI ≥ 600; 9-32 poles: CTI 400

Insulating Group 2-8 poles: I; 9-32 poles: II

Temperature Range -40°C up to 100°C



Terminal body Tin plated brass

Screw M3; zinc plated steel, blue passivated

Solder pin ø 1 mm; tin plated brass

Wire protector Tin plated tin bronze

Approvals

	Current [A]	Voltage [V]	Group	AWG	[Nm]
	20	300	B	22-12 [1]	0,51
	10	300	D	22-12 [1]	0,51
	20	300	B	26 - 12	0,51
	10	300	D, E	26 - 12	0,51

[1] Min No. 26 AWG for factory-wiring only

Options / Accessories

- Consecutive numbering
- Special marking according to drawing
- Self-adhesive marking strip BST-5,08
- Version with extended wire entrance
- Double wire protector as bridge