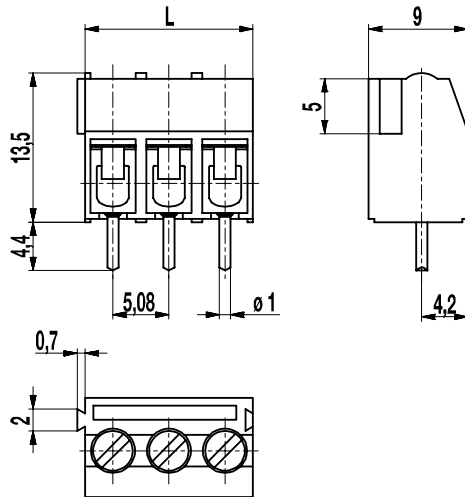
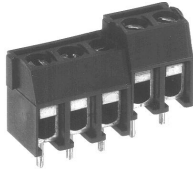


## 968-T(-DS)

PCB connector

Screw connection, large conductor space, interlocking



The PCB connector 968-T with a pitch of 5,08 mm is available in 2- and 3 poles and can be mounted side-by-side without pole loss. Compared to the PCB connector 960-T, it has a larger conductor space for wires up to 6 mm<sup>2</sup>.

Lateral latching elements on the housing allow to latch the PCB connector to longer terminal strips without pole loss.

Wire protection in DS-design reliably prevents damage to stranded wires by the screw.

The screws are secured against self-loosening.

For the grid connection, these PCB connectors are equipped with a M3 thread.

### Part Numbers

No. of poles	968-T	968-T-DS	Length	PU
2	30.878.602	40.878.602	10,16	250
3	30.878.603	40.878.603	15,24	250

### General Information

Pitch	5,08 mm
No. of poles	2 + 3



### Technical Data

Clamping Range	<i>solid / flexible / AWG</i>		
	<i>without wire protector</i>	0,75 - 6 mm <sup>2</sup> / 0,75 - 4 mm <sup>2</sup> / 18 - 10 AWG	
	<i>with wire protector</i>	0,34 - 6 mm <sup>2</sup> / 0,34 - 4 mm <sup>2</sup> / 22 - 10 AWG	
Rated Cross Section	2,5 mm <sup>2</sup>		
Wire Stripping Length	6,5 mm ± 0,5 mm		
Overvoltage Category	III	III	II
Pollution Severity Level	3	2	2
Rated Voltage	250 V	320 V	630 V
Rated Impulse Voltage	4 kV	4 kV	4 kV
Rated Insulation Voltage	250 V acc. to EN 60998-1		
Rated Current	24 A		
Hole in PCB	ø 1,3 mm		
Torque	0,5 Nm		

### Material

Moulding	PA, grey, V-0
Comparative Tracking Index	CTI ≥ 600
Insulating Group	I
Temperature Range	-40°C up to 100°C
Terminal body	Tin plated brass
Screw	M3; zinc plated steel, blue passivated
Solder pin	ø 1 mm; tin plated copper
Wire protector	Tin plated tin bronze

### Approvals

	Current [A]	Voltage [V]	Group	AWG	[Nm]
	20	300	B	22-12 [1]	0,51
	10	300	D	22-12 [1]	0,51
	20	300	B	26 - 12	0,51
	10	300	D, E	26 - 12	0,51

[1] Min No. 26 AWG for factory-wiring only

### Options / Accessories

- Consecutive numbering
- Special marking according to drawing
- Self-adhesive marking strip BST-5,08
- Longer P.C. pins up to 95 mm
- 2 P.C. pins per pole, please see 978-TY
- Version with extended wire entrance