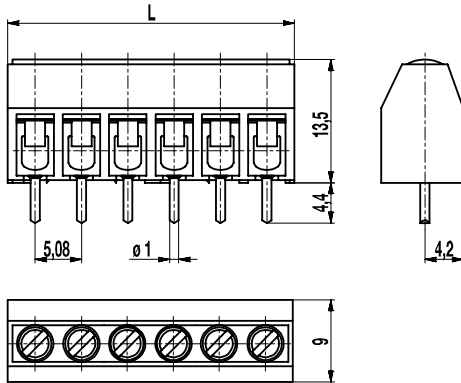
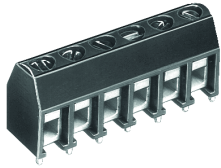


968(-DS)

PCB connector

Screw connection, large conductor space



The PCB connector 968 with a pitch of 5,08 mm is available in 2- to 32-pole design and can be mounted side-by-side without pole loss. Compared to the PCB connector 960, it has a larger conductor space for wires up to 6 mm².

Wire protection in DS-design reliably prevents damage to stranded wires by the screw.

The screws are secured against self-loosening.

For the grid connection, these PCB connectors are equipped with a M3 thread.

Part Numbers

No. of poles	968	968-DS	Length	PU
2	30.878.002	40.878.002	11,16	250
3	30.878.003	40.878.003	16,24	250
4	30.878.004	40.878.004	21,32	200
5	30.878.005	40.878.005	26,40	100
6	30.878.006	40.878.006	31,48	100
7	30.878.007	40.878.007	36,56	100
8	30.878.008	40.878.008	41,64	100
9	30.878.009	40.878.009	46,72	100
10	30.878.010	40.878.010	51,80	100
11	30.878.011	40.878.011	56,88	100
12	30.878.012	40.878.012	61,96	100
13	30.878.013	40.878.012	67,04	100
14	30.878.014	40.878.014	72,12	100
15	30.878.015	40.878.015	77,20	100
16	30.878.016	40.878.016	82,28	100
17	30.878.017	40.878.017	87,36	100
18	30.878.018	40.878.018	92,44	100
19	30.878.019	40.878.019	97,52	100
20	30.878.020	40.878.020	102,60	100
21	30.878.021	40.878.021	107,68	100
22	30.878.022	40.878.022	112,76	100
23	30.878.023	40.878.023	117,84	100
24	30.878.024	40.878.024	122,92	100
26	30.878.026	40.878.026	133,09	100
28	30.878.028	40.878.028	143,24	100
30	30.878.030	40.878.030	153,40	100
32	30.878.032	40.878.032	163,56	100

further number of poles on request

General Information

Pitch	5,08 mm
No. of poles	2 - 32

Technical Data

Clamping Range	<i>solid / flexible / AWG</i>		
	<i>without wire protector</i>	0,75 - 6 mm ² / 0,75 - 4 mm ² / 18 - 10 AWG	
	<i>with wire protector</i>	0,34 - 6 mm ² / 0,34 - 4 mm ² / 22 - 10 AWG	
Rated Cross Section	2,5 mm ²		
Wire Stripping Length	6,5 mm ± 0,5 mm		
Overvoltage Category	III	III	II
Pollution Severity Level	3	2	2
Rated Voltage	250 V (200 V)	320 V	630 V (400 V)
Rated Impulse Voltage	4 kV	4 kV	4 kV
Rated Insulation Voltage	250 V acc. to EN 60998-1		
Rated Current	24 A		
Hole in PCB	ø 1,3 mm		
Torque	0,5 Nm		

Other specifications Voltage data in brackets are valid for 9-32 poles types. 2-8 poles types: "no-flame" acc. to glow-wire test.

Material

Moulding	PA, grey, V-0
Comparative Tracking Index	2-8 poles: CTI ≥ 600; 9-32 poles: CTI 400
Insulating Group	2-8 poles: I; 9-32 poles: II
Temperature Range	-40°C up to 100°C
Terminal body	Tin plated brass
Screw	M3; zinc plated steel, blue passivated
Solder pin	ø 1 mm; tin plated copper
Wire protector	Tin plated tin bronze

Approvals

	Current [A]	Voltage [V]	Group	AWG	[Nm]
	20	300	B	22-12 [1]	0,51
	10	300	D	22-12 [1]	0,51
	20	300	B	26 - 12	0,51
	10	300	D, E	26 - 12	0,51

[1] Min No. 26 AWG for factory-wiring only

Options / Accessories

- Consecutive numbering
- Special marking according to drawing
- Self-adhesive marking strip BST-5,08
- Longer P.C. pins up to 95 mm
- 2 P.C. pins per pole, please see 978-TY
- Version with extended wire entrance