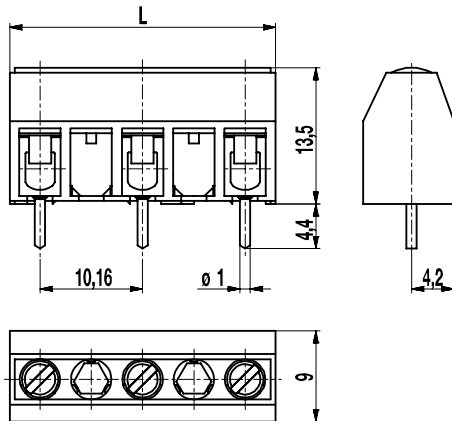
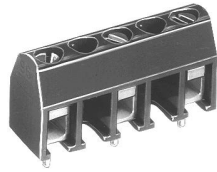


969(-DS)

PCB connector

Screw connection, large conductor space



The PCB connector 969 with a pitch of 10,16 mm is available in 2- to 16-pole design.

It has a large conductor space and large clearance and creepage distances.

Wire protection in DS-design reliably prevents damage to stranded wires by the screw.

The screws are secured against self-loosening.

Part Numbers

No. of poles	969	969-DS	Length	PU
2	32.878.003	42.878.003	16,24	250
3	32.878.005	42.878.005	26,40	100
4	32.878.007	42.878.007	36,56	100
5	32.878.009	42.878.009	46,62	100
6	32.878.011	42.878.011	56,88	100
7	32.878.013	42.878.013	67,04	100
8	32.878.015	42.878.015	77,20	100
9	32.878.017	42.878.017	87,36	100
10	32.878.019	42.878.019	97,52	100
11	32.878.021	42.878.021	107,68	100
12	32.878.023	42.878.023	117,84	100
13	32.878.025	42.878.023	128,00	100
14	32.878.027	42.878.027	138,16	100
15	32.878.029	42.878.029	148,32	100
16	32.878.031	42.878.031	158,48	100

General Information

Pitch	10,16 mm
No. of poles	2 - 16



Technical Data

Clamping Range	<i>solid / flexible / AWG</i>		
<i>without wire protector</i>	0,75 - 6 mm ² / 0,75 - 4 mm ² / 18 - 10 AWG		
<i>with wire protector</i>	0,34 - 6 mm ² / 0,34 - 4 mm ² / 22 - 10 AWG		
Rated Cross Section	2,5 mm ²		
Wire Stripping Length	6,5 mm ± 0,5 mm		
Overvoltage Category	III	III	II
Pollution Severity Level	3	2	2
Rated Voltage	630 V (500 V)	630 V	1000 V
Rated Impulse Voltage	6 kV	6 kV	6 kV
Rated Insulation Voltage	750 V acc. to EN 60998-1		
Rated Current	24 A		
Hole in PCB	ø 1,3 mm		
Torque	0,5 Nm		
Other specifications	Rated voltage in brackets applies to 5-16-pole connectors, "no-flame" according to glow wire test applies to 2-4-pole connectors.		

Material

Moulding	PA, grey, V-0
Comparative Tracking Index	2-4 poles: CTI ≥ 600; 5-16 poles: CTI 400
Insulating Group	2-4 poles: I; 5-16 poles: II
Temperature Range	-40°C up to 100°C
Terminal body	Tin plated brass
Screw	M3; zinc plated steel, blue passivated
Solder pin	ø 1 mm; tin plated copper
Wire protector	Tin plated tin bronze

Approvals

	Current [A]	Voltage [V]	Group	AWG	[Nm]
	20	300	B	22-12 [1]	0,51
	20	300	B	26 - 12	0,51
	10	300	D, E	26 - 12	0,51

[1] Min No. 26 AWG for factory-wiring only

Options / Accessories

- Consecutive numbering
- Special marking according to drawing
- Self-adhesive marking strip BST-10,16
- Longer solder pins up to 95 mm
- Two solder pins per pole, please see 978-TY(-DS) in 5 mm pitch
- Version with extended wire entrance