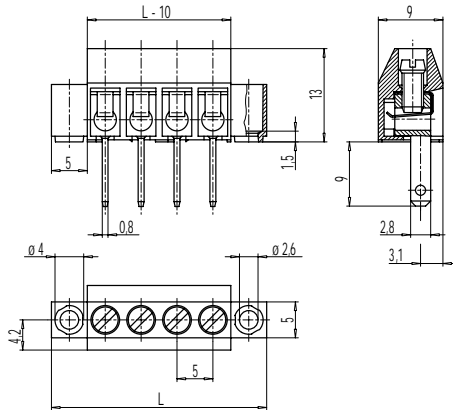
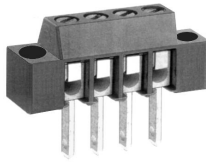


## 970-B-2,8(-DS)

Tab/screw connector block  
screw connection, with tabs 2,8



Tab/screw connector block 970-B-2,8 in 5 mm pitch is a combination of tab connector block and screw connector. They are available in 2- to 8-pole design. They are mostly used for the mains connections of electrical equipment but are also suitable for other applications.

Due to the 5 mm pitch, the tab/screw connector block 970-B-2,8 has only small space requirements and is particularly suitable as lead-out terminal for plastic walls.

The housing features two lateral mounting flanges.

Interior connections are designed as A 2,8 mm x 0,8 mm tab connectors.

The wire protector of the "DS"-version reliably prevents damage to multi-wire flexible conductors by the turning screw.

### Installation note:

Tab connectors are provided for connections inside electrical equipment. They offer easy and low-cost mounting solutions. Screw connections are available for mains connections.

### Part Numbers

No. of poles	970-B-2,8	970-B-2,8-DS	Length	PU
2	13.872.702	23.872.702	20,00	200
3	13.872.703	23.872.703	25,00	200
4	13.872.704	23.872.704	30,00	100
5	13.872.705	23.872.705	35,00	100
6	13.872.706	23.872.706	40,00	100
7	13.872.707	23.872.707	45,00	100
8	13.872.708	23.872.708	50,00	100

### General Information

Pitch	5 mm
No. of poles	2 - 8



### Technical Data

Clamping Range	<i>solid / flexible / AWG</i>
<i>without wire protector</i>	1 - 6 mm <sup>2</sup> / 1 - 2,5 mm <sup>2</sup> / 16 - 12 AWG
<i>with wire protector</i>	0,75 - 4 mm <sup>2</sup> / 0,75 - 2,5 mm <sup>2</sup> / 18 - 12 AWG
Rated Cross Section	2,5 mm <sup>2</sup> [1]; 1 mm <sup>2</sup> [2]
Wire Stripping Length	6,5 mm
Overvoltage Category	III
Pollution Severity Level	3
Rated Voltage	250 V
Rated Impulse Voltage	4 kV
Rated Insulation Voltage	250 V acc. to EN 60998-1
Rated Current	6 A: with receptacle 2,8; wire 1 mm <sup>2</sup> (16 AWG)
Torque	0,5 Nm
Other specifications	Indicated rated voltages refer to applications with insulation receptacles.

### Material

Moulding	PA, grey, V-0
Comparative Tracking Index	CTI ≥ 600
Insulating Group	I
Temperature Range	-40°C up to 100°C
Terminal Body	Nickel plated brass
Tab	Nickel plated brass
Screw	M3; zinc plated steel, blue passivated
Wire protector	Tin plated tin bronze

### Approvals

	Current [A]	Voltage [V]	Group	AWG	[Nm]
	6	300	B,D	22 - 12	0,51 [3]
	6	300	B,D,E	22 - 10	0,51

### Options / Accessories

- Consecutive numbering
- Special marking according to drawing
- Self-adhesive marking strip BST-5,00
- Version with higher number of poles
- Version without fastening flanges
- Version with extended wire entrance
- Double wire protector as bridge

[1] Screw side

[2] Plug-in side

[3] No. 26 AWG min for factory-wiring only