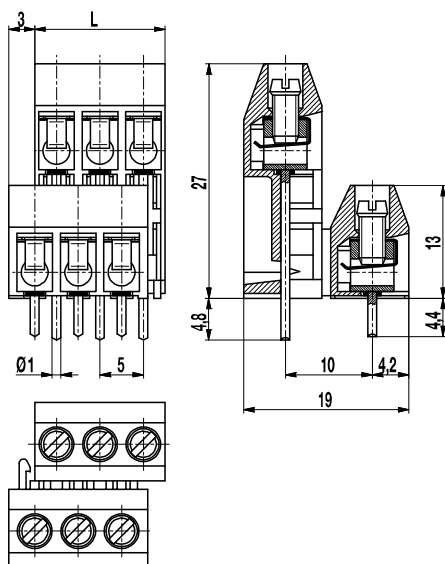
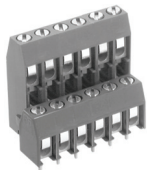


PCB connector

970-EN(-DS)

Screw connection, two-tier version



The PCB screw connector 970-EN is a two-tier version with a pitch of 5 mm and available with 4 to 24 poles.

This connector is a combination of the 979-HEN with the 970 version. The rear latching hook on the 970 series locks both terminals to one unit. This configuration allows application-specific locking combinations.

Wire protection in DS-design reliably prevents damage to stranded wires by the screw.

Part Numbers

No. of poles	970-EN	970-EN-DS	Length	Pcs
4	10.872.962	20.872.962	10,00	100
6	10.872.963	20.872.963	15,00	50
8	10.872.964	20.872.964	20,00	50
10	10.872.965	20.872.965	25,00	50
12	10.872.966	20.872.966	30,00	50
14	10.872.967	20.872.967	35,00	25
16	10.872.968	20.872.968	40,00	25
18	10.872.969	20.872.969	45,00	25
20	10.872.970	20.872.970	50,00	25
22	10.872.971	20.872.971	55,00	25
24	10.872.972	20.872.972	60,00	25

General Information

Pitch	5 mm
No. of poles	4 - 24

Technical Data

Clamping Range	<i>solid / flexible / AWG</i>		
<i>without wire protector</i>	1 - 6 mm ² / 1 - 2,5 mm ² / 16 - 12 AWG		
<i>with wire protector</i>	0,75 - 4 mm ² / 0,75 - 2,5 mm ² / 18 - 12 AWG		
Rated Cross Section	2,5 mm ²		
Wire Stripping Length	6,5 mm		
Overvoltage Category	III	III	II
Pollution Severity Level	3	2	2
Rated Voltage	250 V	320 V	630 V
Rated Impulse Voltage	4 kV	4 kV	4 kV
Rated Insulation Voltage	250 V acc. to EN 60998-1		
Rated Current	24 A		
Hole in PCB	ø 1,3 mm		
Torque	0,5 Nm		

Material

Moulding	PA, grey, V-0
Comparative Tracking Index	CTI ≥ 600
Insulating Group	I
Temperature Range	-40°C up to 100°C
Terminal body	Tin plated brass
Screw	M3; zinc plated steel, blue passivated
Solder pin	ø 1 mm; tin plated copper
Wire protector	Tin plated tin bronze

Approvals

	Current	Voltage	Group	AWG	Nm
	20	300	B	22-12 [1]	0,51
	10	300	D	22-12 [1]	0,51
	20	300	B	26 - 12	0,51
	10	300	D, E	26 - 12	0,51
	24	250	2,5		

[1] Min No. 26 AWG for factory-wiring only

Options / Accessories

- Consecutive numbering
- Special marking according to drawing
- Self-adhesive marking strip BST-5,00
- Pitch of 10 mm for larger clearance and creepage distances
- Other P.C. pin lengths on request
- Double wire protector as bridge
- Cover for the solder pins for additional misplacing and contact protection
- Two-tier version with front PCB connector offset to the right