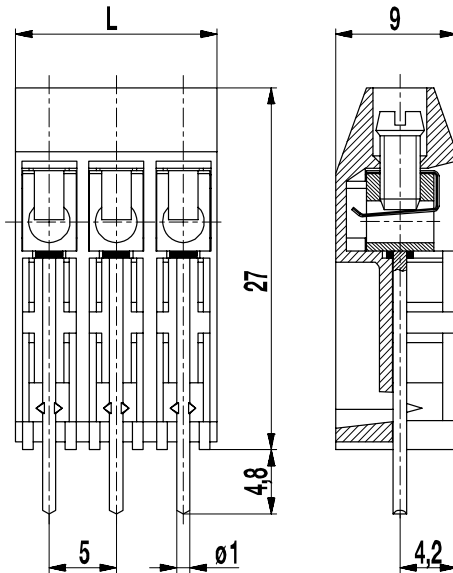


970-HEN(-DS)

PCB connector

Screw connection, tall version



The PCB connector 970-HEN is a tall version with a pitch of 5 mm and available with 2 to 12 poles.

This tall version is particularly designed for encapsulating PCBs whose mounting location shall provide connection outside the housing.

Wire protection in DS-design reliably prevents damage to stranded wires by the screw.

Connecting the two PCB connectors 970 and 970-EN yields the two-tier version 970-EN.

Part Numbers

No. of poles	970-HEN	970-HEN-DS	Length	PU
2	17.872.962	27.872.962	10,00	250
3	17.872.963	27.872.963	15,00	200
4	17.872.964	27.872.964	20,00	100
5	17.872.965	27.872.965	25,00	100
6	17.872.966	27.872.966	30,00	50
7	17.872.967	27.872.967	35,00	50
8	17.872.968	27.872.968	40,00	50
9	17.872.969	27.872.969	45,00	50
10	17.872.970	27.872.970	50,00	50
11	17.872.971	27.872.971	55,00	50
12	17.872.972	27.872.972	60,00	50

General Information

Pitch	5 mm
No. of poles	2 - 12




Technical Data

Clamping Range	<i>solid / flexible / AWG</i>		
<i>without wire protector</i>	1 - 6 mm ² / 1 - 2,5 mm ² / 16 - 12 AWG		
<i>with wire protector</i>	0,75 - 4 mm ² / 0,75 - 2,5 mm ² / 18 - 12 AWG		
Rated Cross Section	2,5 mm ²		
Wire Stripping Length	6,5 mm ± 0,5 mm		
Overvoltage Category	III	III	II
Pollution Severity Level	3	2	2
Rated Voltage	250 V	320 V	630 V
Rated Impulse Voltage	4 kV	4 kV	4 kV
Rated Current	24 A		
Hole in PCB	ø 1,3 mm		
Torque	0,5 Nm		

Material

Moulding	PA, grey, V-0
Comparative Tracking Index	CTI ≥ 600
Insulating Group	I
Temperature Range	-40°C up to 100°C
Terminal body	Tin plated brass
Screw	M3; zinc plated steel, blue passivated
Solder pin	ø 1 mm; tin plated copper
Wire protector	Tin plated tin bronze

Approvals

	Current [A]	Voltage [V]	Group	AWG	[Nm]
	20	300	B	22-12 [1]	0,51
	10	300	D	22-12 [1]	0,51
	20	300	B	26 - 12	0,51
	10	300	D, E	26 - 12	0,51
<hr/>					
	Current [A]	Voltage [V]	[mm ²]		
	24	250	2,5 [2]		

[1] Min No. 26 AWG for factory-wiring only

[2] Acc. to IEC 60947-7-4 und IEC 60947-1

Options / Accessories

- Consecutive numbering
- Special marking according to drawing
- Self-adhesive marking strip BST-5,00
- Other P.C. pin lengths on request
- Double wire protector as bridge
- Cover for the solder pins for additional misplacing and contact protection