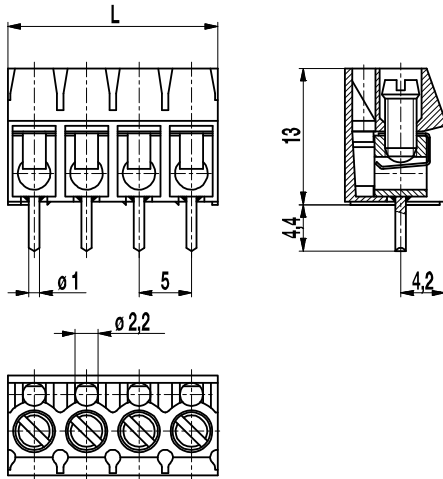
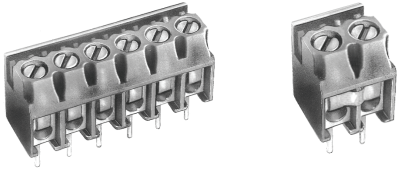


PCB connector

970-MP(-DS)

Screw connection, with test holes



Part Numbers

No. of poles	970-MP	970-MP-DS	Length	Pcs
2	10.872.202	20.872.202	10,00	250
3	10.872.203	20.872.203	15,00	250
4	10.872.204	20.872.204	20,00	200
5	10.872.205	20.872.205	25,00	100
6	10.872.206	20.872.206	30,00	100
7	10.872.207	20.872.207	35,00	100
8	10.872.208	20.872.208	40,00	100
9	10.872.209	20.872.209	45,00	100
10	10.872.210	20.872.210	50,00	100
11	10.872.211	20.872.211	55,00	100
12	10.872.212	20.872.212	60,00	100
13	10.872.213	20.872.213	65,00	100
14	10.872.214	20.872.214	70,00	100
15	10.872.215	20.872.215	75,00	100
16	10.872.216	20.872.216	80,00	100
17	10.872.217	20.872.217	85,00	100
18	10.872.218	20.872.218	90,00	100
19	10.872.219	20.872.219	95,00	100
20	10.872.220	20.872.220	100,00	100
21	10.872.221	20.872.221	105,00	100
22	10.872.222	20.872.222	110,00	100
23	10.872.223	20.872.223	115,00	100
24	10.872.224	20.872.224	120,00	100

General Information

Pitch	5 mm
No. of poles	2 - 24

Technical Data

Clamping Range	<i>solid / flexible / AWG</i>
<i>without wire protector</i>	1 - 6 mm ² / 1 - 2,5 mm ² / 16 - 12 AWG
<i>with wire protector</i>	0,75 - 4 mm ² / 0,75 - 2,5 mm ² / 18 - 12 AWG
Rated Cross Section	2,5 mm ²
Wire Stripping Length	7 mm
Overvoltage Category	III
Pollution Severity Level	3
Rated Voltage	250 V (200 V)
Rated Impulse Voltage	4 kV
Rated Insulation Voltage	250 V acc. to EN 60998-1
Rated Current	24 A
Hole in PCB	01,3 mm
Torque	0,5 Nm

Material

Moulding	PA, grey, V-0
Comparative Tracking Index	2-8 poles: CTI ≥ 600; 9-24 poles: CTI 250
Insulating Group	2-8 poles: I; 9-24 poles: IIIa
Temperature Range	-40°C up to 100°C
Terminal body	Tin plated brass
Screw	M3; zinc plated steel, blue passivated
Solder pin	01 mm; tin plated copper
Wire protector	Tin plated tin bronze

Approvals

	Current	Voltage	Group	AWG	Nm
RU®	20	300	B	22-12 [1]	0,51
	10	300	D	22-12 [1]	0,51
SP®	20	300	B	26 - 12	0,51
	10	300	D, E	26 - 12	0,51
	Current	Voltage	mm ²		
⊕	24	400	2,5		

[1] Min No. 26 AWG for factory-wiring only

Options / Accessories

- Consecutive numbering
- Special marking according to drawing
- Self-adhesive marking strip BST-5,00
- Pitch of 10 mm for larger clearance and creepage distances
- Longer P.C. pins up to 95 mm
- Version with larger clamping range
- Version with two P.C. pins per pole
- Version with extended wire entrance
- Double wire protector as bridge