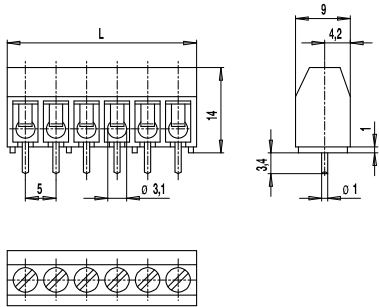


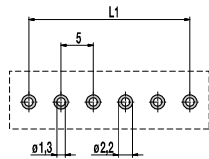
PCB Connector Series 97 for THR

970-THR(-DS)

Screw connection



PCB Layout



L1 = (No. of poles - 1) x pitch
 Solder paste thickness: 0,15 - 0,2 mm
 Solder pad diameter: 2,2 mm

The products based on our established 970 series have been designed for the soldering process in Through-Hole-Reflow technology.

The soldering paste is applied to the plated through holes and the pins are placed in the circuit board and soldered by a reflow oven.

The terminal mouldings are made of heat-resistant material. The stand-offs on the base ensures there is enough room for the soldering paste and facilitates good heat circulation for optimum soldering and enables the soldering joint to be visually inspected.

The solder pin projects very slightly with a circuit board thickness of 1,6 mm and creates a solder point on both sides and thus guarantees a secure mounting. The position of the solder pins enables an equally minimal allocation area on the circuit board as with wave soldering.

This PCB terminal is for a conductor cross sections of 2,5 mm² in 5 mm pitch and available in 2 to 12 pole lengths, with or without wire protector..

Articlenumbers

No. of poles	970-THR	970-THR-DS	Length	Pcs
2	10.879.202	20.879.202	10,00	250
3	10.879.203	20.879.203	15,00	250
4	10.879.204	20.879.204	20,00	200
5	10.879.205	20.879.205	25,00	100
6	10.879.206	20.879.206	30,00	100
8	10.879.208	20.879.208	40,00	100
10	10.879.210	20.879.210	50,00	100
12	10.879.212	20.879.212	60,00	100

further number of poles on request

General Information

Centre to centre spacing	5 mm
No. of poles	2 - 12
Accessories	Self-adhesive marking strip BST-5,0
Additional Information	This PCB terminal is also available as 978-THR with enlarged clamping size.

Technical Data

Clamping Range	solid / flexible / AWG		
without wire protector	1 - 6 mm ² / 1 - 2,5 mm ² / 16 - 12 AWG		
with wire protector	0,75 - 4 mm ² / 0,75 - 2,5 mm ² / 18 - 12 AWG		
Rated Cross Section	2,5 mm ²		
Wire Stripping Length	6,5 mm ± 0,5 mm		
Overvoltage Category	III	III	II
Pollution Severity Level	3	2	2
Rated Voltage	250 V	320 V	630 V
Rated Impulse Voltage	4 kV	4 kV	4 kV
Rated Insulation Voltage	250 V acc. to EN 60998-1		
Rated Current	24 A		
Soldering process	Wave solder & reflow solder		
Hole in PCB	Ø 1,3 mm		
Torque	0,5 Nm		
PCB thickness	Wave solder max. 1,6 mm; reflow solder 1,6 mm - 3,2 mm		

Material

Moulding	PA HT, black, V-0
Comparative Tracking Index	CTI ≥ 600
Insulating Group	I
Temperature Range	-40°C up to 150°C; reflow solder temperature (Peak) approx. 260°C (15-30 s)
Terminal Body	Tin plated brass
Screw	M3, zinc plated steel, blue passivated
Solder pin	Ø 1 mm; tin plated copper
Wire protector	Tin bronze

Approvals

	Current	Voltage	Group	AWG	Nm
	20	300	B,D	22 - 12	0,51 (1)
	20	300	B	26 - 12	0,51
	10	300	D,E	26 - 12	0,51

(1) No. 26 AWG min for factory-wiring only

Options / Accessories

- Consecutive numbering
- Special marking accord. drawing
- Other pin length on request

Articlenumbers: Tape-on-Reel

No. of poles	970-THR	970-THR-DS	Tape Width	Tape Height	Pcs
2		20.879.202.A00	32 mm	18,8 mm	225
3		20.879.203.A00	32 mm	18,8 mm	225
4		20.879.204.A00	32 mm	18,8 mm	225

further number of poles on request