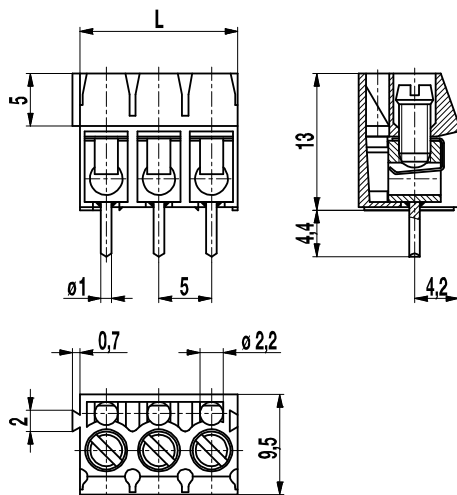
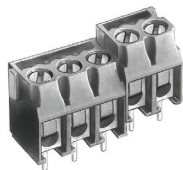


PCB connector 970-TMP(-DS)

Screw connection, with test holes, interlocking



Part Numbers

No. of poles	970-TMP	970-TMP-DS	Length	Pcs
2	10.872.232	20.872.232	10,00	250
3	10.872.233	20.872.233	15,00	250

General Information

Pitch	5 mm
No. of poles	2 + 3

Technical Data

Clamping Range	<i>solid / flexible / AWG</i>
<i>without wire protector</i>	1 - 6 mm ² / 1 - 2,5 mm ² / 16 - 12 AWG
<i>with wire protector</i>	0,75 - 4 mm ² / 0,75 - 2,5 mm ² / 18 - 12 AWG
Rated Cross Section	2,5 mm ²
Wire Stripping Length	7 mm
Overvoltage Category	III
Pollution Severity Level	3
Rated Voltage	250 V
Rated Impulse Voltage	4 kV
Rated Insulation Voltage	250 V acc. to EN 60998-1
Rated Current	24 A
Hole in PCB	ø 1,3 mm
Torque	0,5 Nm

Material

Moulding	PA, grey, V-0
Comparative Tracking Index	CTI ≥ 600
Insulating Group	I
Temperature Range	-40°C up to 100°C
Terminal body	Tin plated brass
Screw	M3; zinc plated steel, blue passivated
Solder pin	ø 1 mm; tin plated copper
Wire protector	Tin plated tin bronze

Approvals

	Current	Voltage	Group	AWG	Nm
	20	300	B	22-12 [1]	0,51
	10	300	D	22-12 [1]	0,51
	20	300	B	26 - 12	0,51
	10	300	D, E	26 - 12	0,51
	Current	Voltage	mm ²		
	24	400	2,5		

[1] Min No. 26 AWG for factory-wiring only

Options / Accessories

- Consecutive numbering
- Special marking according to drawing
- Self-adhesive marking strip BST-5,00
- Pitch of 10 mm for larger clearance and creepage distances
- Longer solder pins up to 95 mm
- Version with two solder pins per pole
- Version with extended wire entrance
- Version with larger clamping range
- Double wire protector as bridge