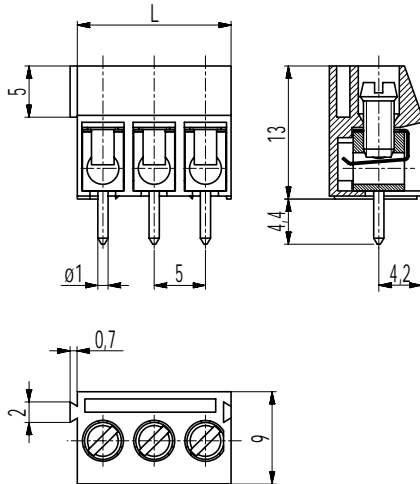
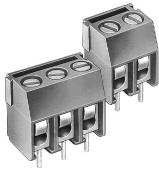


## 970-T(-DS)

PCB connector

Screw connection, interlocking



The PCB connector 970-T with a pitch of 5 mm is available in 2- and 3-pole design. Compared to the smaller PCB connector 950-T, it has a larger clamping range and larger clearance and creepage distances. Lateral latching elements on the housing allow to latch the PCB connector to longer terminal strips without pole loss.

The wire protector of the "DS"-version reliably prevents damage to multi-wire flexible conductors by the turning screw. The wire entrance is parallel to the PCB.

The screws are secured against self-loosening. For the grid connection, these PCB connectors are equipped with a M3 thread.

### Part Numbers

| No. of poles | 970-T      | 970-T-DS   | Length | PU  |
|--------------|------------|------------|--------|-----|
| 2            | 10.872.602 | 20.872.602 | 10,00  | 250 |
| 3            | 10.872.603 | 20.872.603 | 15,00  | 250 |

### General Information

|              |       |
|--------------|-------|
| Pitch        | 5 mm  |
| No. of poles | 2 + 3 |




### Technical Data

|                          |                               |   |       |
|--------------------------|-------------------------------|---|-------|
| Clamping Range           | <i>solid / flexible / AWG</i> |   |       |
|                          | <i>without wire protector</i> | 1 - 6 mm <sup>2</sup> / 1 - 2,5 mm <sup>2</sup> / 16 - 12 AWG       |       |
|                          | <i>with wire protector</i>    | 0,75 - 4 mm <sup>2</sup> / 0,75 - 2,5 mm <sup>2</sup> / 18 - 12 AWG |       |
| Rated Cross Section      | 2,5 mm <sup>2</sup>           |   |       |
| Wire Stripping Length    | 6,5 mm ± 0,5 mm               |   |       |
| Overvoltage Category     | III                           | III   | II    |
| Pollution Severity Level | 3                             | 2   | 2     |
| Rated Voltage            | 250 V                         | 320 V   | 630 V |
| Rated Impulse Voltage    | 4 kV                          | 4 kV  | 4 kV  |
| Rated Current            | 24 A                          |   |       |
| Hole in PCB              | ø 1,3 mm                      |   |       |
| Torque                   | 0,5 Nm                        |   |       |

### Material

|                            |  |
|----------------------------|--|
| Moulding                   | PA, grey, V-0                          |
| Comparative Tracking Index | CTI ≥ 600                              |
| Insulating Group           | I                                      |
| Temperature Range          | -40°C up to 100°C                      |
| Terminal body              | Tin plated brass                       |
| Screw                      | M3; zinc plated steel, blue passivated |
| Solder pin                 | ø 1 mm; tin plated copper alloy        |
| Wire protector             | Tin plated tin bronze                  |

### Approvals

|   | Current [A] | Voltage [V] | Group              | AWG       | [Nm] |
|---|-------------|-------------|--------------------|-----------|------|
|  | 20          | 300         | B                  | 22-12 [1] | 0,51 |
|   | 10          | 300         | D                  | 22-12 [1] | 0,51 |
|  | 20          | 300         | B                  | 26 - 12   | 0,51 |
|   | 10          | 300         | D, E               | 26 - 12   | 0,51 |
|   | Current [A] | Voltage [V] | [mm <sup>2</sup> ] |           |      |
|  | 24          | 250         | 2,5 [2]            |           |      |

[1] Min No. 26 AWG for factory-wiring only

[2] Acc. to IEC 60947-7-4 und IEC 60947-1

### Options / Accessories

- Consecutive numbering
- Special marking according to drawing
- Self-adhesive marking strip BST-5,00
- Longer solder pins up to 95 mm
- Version with extended wire entrance
- With test hole, see 970-TMP
- Double wire protector as bridge