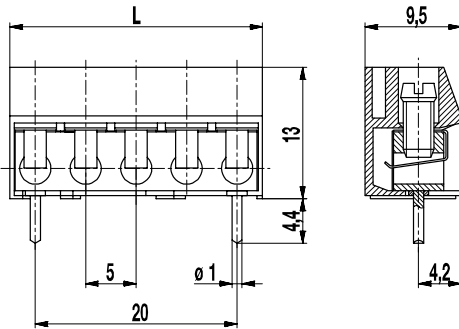
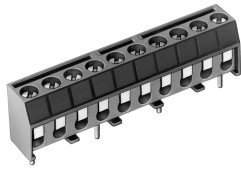


970-X..(-DS)

PCB connector

Screw connection, 2 to 12 screw connections at only one pole



The PCB screw connector 970-X.. with a "pitch" of 5 mm has 2 to 12 screw connections at only one pole and can be used e.g. as potential distributors. This allows to loop through earth conductors easily.

Wire protection in DS-design reliably prevents damage to stranded wires by the screw.

A latchable version with 2 to 4 screw connections at one pole is available as type 970-TX..

NOTE:

The pole numbers indicated in the article number do not designate the actual number of poles but the number of screw connections instead!

Part Numbers

No. of poles	970-X..	970-X..-DS	Length	PU
2	10.872.582	20.872.582	10,00	250
3	10.872.583	20.872.583	15,00	250
4	10.872.584	20.872.584	20,00	100
5	10.872.585	20.872.585	25,00	100
6	10.872.586	20.872.586	30,00	100
7	10.872.587	20.872.587	35,00	100
8	10.872.588	20.872.588	40,00	100
9	10.872.589	20.872.589	45,00	100
10	10.872.590	20.872.590	50,00	100
11	10.872.591	20.872.591	55,00	100
12	10.872.592	20.872.592	60,00	100

General Information

Pitch	5 mm
No. of poles	1




Technical Data

Clamping Range	<i>solid / flexible / AWG</i>		
<i>without wire protector</i>	1 - 6 mm ² / 1 - 2,5 mm ² / 16 - 12 AWG		
<i>with wire protector</i>	0,75 - 4 mm ² / 0,75- 2,5 mm ² / 18 - 12 AWG		
Rated Cross Section	2,5 mm ²		
Wire Stripping Length	6,5 mm ± 0,5 mm		
Overvoltage Category	III	III	II
Pollution Severity Level	3	2	2
Rated Voltage	250 V	320 V	630 V
Rated Impulse Voltage	4 kV	4 kV	4 kV
Rated Current	24 A		
Hole in PCB	ø 1,3 mm		
Torque	0,5 Nm		

Material

Moulding	PA, grey, V-0
Comparative Tracking Index	CTI ≥ 600
Insulating Group	I
Temperature Range	-40°C up to 100°C
Terminal body	Tin plated brass
Screw	M3; zinc plated steel, blue passivated
Solder pin	ø 1 mm; tin plated copper
Wire protector	Tin plated tin bronze

Approvals

	Current [A]	Voltage [V]	Group	AWG	[Nm]
	20	300	B	22-12 [1]	0,51
	10	300	D	22-12 [1]	0,51
	20	300	B	26 - 12	0,51
	10	300	D, E	26 - 12	0,51
	Current [A]	Voltage [V]	[mm ²]		
	24	250	2,5 [2]		

[1] Min No. 26 AWG for factory-wiring only

[2] Acc. to IEC 60947-7-4 und IEC 60947-1

Options / Accessories

- Consecutive numbering
- Special marking according to drawing
- Self-adhesive marking strip BST-5,00
- Longer P.C. pins up to 95 mm
- P.C. pins with different lengths between each other
- Version with extended wire entrance
- Other position of P.C. pins