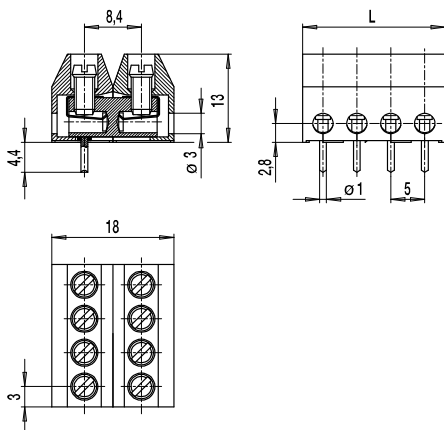


## PCB connector

### 971-DOPG(-DS)

Screw connection, 2 clamping units per pole



The 971-DOP terminal is based on our well known 970 terminals. However, it has 2 clamping units positioned behind one another. This is a space efficient terminal solution. The versions with solder pin (called -DOPG) are used for direct application onto the printed circuit board.

The terminal 971-DOPG-TX contains a one piece terminal body for all connections. This means all wires have the same potential.

Combinations of WECO standard terminals with a single clamping unit per pole are possible. Therefore is the 2 and 3 pole version also available with dovetail feature.

#### Part Numbers

No. of poles	971-DOPG	971-DOPG-DS	Length	Pcs
2	84.872.102	94.872.102	11,00	100
3	84.872.103	94.872.103	16,00	100
4	84.872.104	94.872.104	21,00	300
5	84.872.105	94.872.105	26,00	50
6	84.872.106	94.872.106	31,00	50
8	84.872.108	94.872.108	41,00	50

further number of poles on request

#### General Information

Pitch	5 mm
No. of poles	2 - 8

#### Technical Data

Clamping Range	<i>solid / flexible / AWG</i>		
<i>without wire protector</i>	1 - 1,5 mm <sup>2</sup> / 1 - 1,5 mm <sup>2</sup> / 16 AWG		
<i>with wire protector</i>	0,75 - 1,5 mm <sup>2</sup> / 0,75 - 1,5 mm <sup>2</sup> / 18 - 16 AWG		
Rated Cross Section	1,5 mm <sup>2</sup>		
Wire Stripping Length	6,5 mm ± 0,5 mm		
Overvoltage Category	III	III	II
Pollution Severity Level	3	2	2
Rated Voltage	250 V	320 V	630 V
Rated Impulse Voltage	4 kV	4 kV	4 kV
Rated Insulation Voltage	250 V acc. to EN 60998-1		
Rated Current	17,5 A		
Hole in PCB	ø 1,3 mm		
Torque	0,5 Nm		

#### Material

Moulding	PA, grey, V-0
Comparative Tracking Index	CTI ≥ 600
Insulating Group	I
Temperature Range	-40°C up to 100°C
Terminal body	Tin plated brass
Screw	M3, zinc plated steel, blue passivated
Solder pin	ø 1 mm; tin plated copper
Wire protector	Tin plated tin bronze

#### Approvals

	Current	Voltage	Group	AWG	Nm
	20	300	B	22-12 [1]	0,51
	10	300	D	22-12 [1]	0,51
	20	300	B	26 - 12	0,51
	10	300	D, E	26 - 12	0,51

[1] Min No. 26 AWG for factory-wiring only

#### Options / Accessories

- Consecutive numbering
- Special marking according to drawing
- Self-adhesive marking strip BST-5,00
- Pitch of 5,08 mm or 7,5 mm for larger clearance and creepage distances
- Other P.C. pin lengths on request
- Available without or with two solder pins
- Double clamping units to be combined with single clamping units
- 1 pole version with 4 clamping units (971-DOPG-TX2) on request