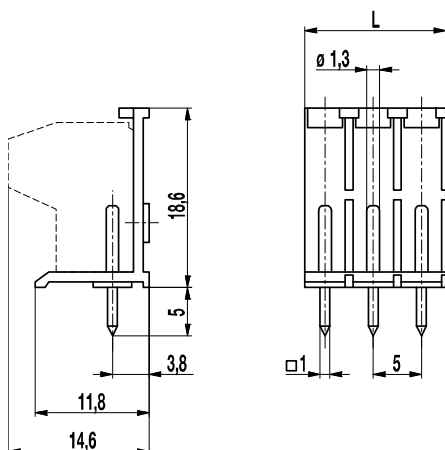
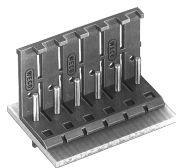


## Pin strip 971-FBSP

Plug-in area  $\varnothing$  1,3 mm, with locking plate



### Part Numbers

No. of poles	971-FBSP	Length	Pcs
2	12.893.412	10,00	200
3	13.893.412	15,00	200
4	14.893.412	20,00	100
5	15.893.412	25,00	100
6	16.893.412	30,00	100
7	17.893.412	35,00	100
8	18.893.412	40,00	100
9	19.893.412	45,00	50
10	20.893.412	50,00	50
11	21.893.412	55,00	50
12	22.893.412	60,00	50

### General Information

Pitch	5 mm
No. of poles	2 - 12
Usable with	plug connector 971-FBS

### Technical Data

Overvoltage Category	III	III	II
Pollution Severity Level	3	2	2
Rated Voltage	160 V	160 V	320 V
Rated Impulse Voltage	2,5 kV	2,5 kV	2,5 kV
Rated Insulation Voltage	130 V acc. to EN 60998-1		
Rated Current	6 A		
Hole in PCB	$\varnothing$ 1,5 mm		

### Material

Moulding	PA, grey, V-0
Comparative Tracking Index	CTI $\geq$ 600
Insulating Group	I
Temperature Range	-40°C up to 100°C
Solder pin	$\varnothing$ 1,3 mm (plug-in area) / 1,0 x 1,0 mm (soldering area); tin plated brass

### Approvals

	Current	Voltage	Group	AWG	Nm
	20	300	B		
	10	300	D		
	20	300	B		
	10	300	D, E		

### Options / Accessories

- Consecutive numbering
- Special marking according to drawing
- Self-adhesive marking strip BST-5,00
- Pitch of 10 mm for larger clearance and creepage distances