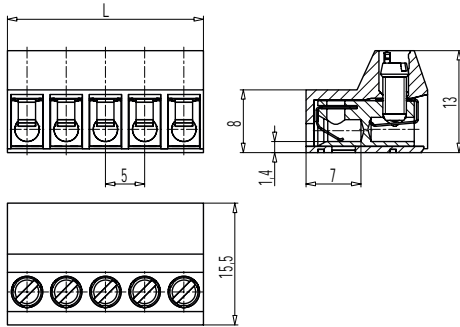


971-FBS(-DS)

Plug connector

Screw connection, plugable from backside



Part Numbers

No. of poles	971-FBS	971-FBS-DS	Length	PU
2	10.873.102	20.873.102	10,00	200
3	10.873.103	20.873.103	15,00	200
4	10.873.104	20.873.104	20,00	100
5	10.873.105	20.873.105	25,00	100
6	10.873.106	20.873.106	30,00	50
7	10.873.107	20.873.107	35,00	50
8	10.873.108	20.873.108	40,00	50
9	10.873.109	20.873.109	45,00	50
10	10.873.110	20.873.110	50,00	50
11	10.873.111	20.873.111	55,00	50
12	10.873.112	20.873.112	60,00	50
13	10.873.113	20.873.112	65,00	50
14	10.873.114	20.873.114	70,00	50
15	10.873.115	20.873.115	75,00	50
16	10.873.116	20.873.116	80,00	50
17	10.873.117	20.873.117	85,00	50
18	10.873.118	20.873.118	90,00	50
19	10.873.119	20.873.119	95,00	50
20	10.873.120	20.873.120	100,00	50
21	10.873.121	20.873.121	105,00	50
22	10.873.122	20.873.122	110,00	50
23	10.873.123	20.873.123	115,00	50
24	10.873.124	20.873.124	120,00	50

General Information

Pitch	5 mm
No. of poles	2 - 24
Usable with	plug connectors 950-SVG, 971-FBSP, 951-SV




Technical Data

Clamping Range	<i>solid / flexible / AWG</i>		
<i>without wire protector</i>	1 - 6 mm ² / 1 - 4 mm ² / 16 - 10 AWG		
<i>with wire protector</i>	0,75 - 4 mm ² / 0,75 - 2,5 mm ² / 18 - 12 AWG		
Rated Cross Section	2,5 mm ²		
Wire Stripping Length	5,5 mm ± 0,5 mm		
Overvoltage Category	III	III	II
Pollution Severity Level	3	2	2
Rated Voltage	250 V (200 V)	320 V	630 V (320 V)
Rated Impulse Voltage	4 kV	4 kV	4 kV
Rated Current	6 A		
Torque	0,5 Nm		
Other specifications	Rated voltage in parentheses apply to 13-24 poles types. 2-12 poles types are "no-flame" acc. to glow-wire test.		

Material

Moulding	PA, grey, V-0
Comparative Tracking Index	2-12 poles: CTI ≥ 600; 13-24 poles: CTI 250
Insulating Group	2-12 poles: I; 13-24 poles: IIIa
Temperature Range	-40°C up to 100°C
Terminal body	Tin plated brass
Screw	M3; zinc plated steel, blue passivated
Wire protector	Tin plated tin bronze
Spring	Stainless strip steel

Approvals

	Current [A]	Voltage [V]	Group	AWG	[Nm]
	20	300	B	22-12 [1]	0,51
	10	300	D	22-12 [1]	0,51
	20	300	B	26 - 12	0,4
	10	300	D, E	26 - 12	0,4
	Current [A]	Voltage [V]	[mm ²]		
	13,5	200	2,5 [2]		

[1] Min No. 26 AWG for factory-wiring only

[2] Acc. to IEC 60947-7-4 und IEC 60947-1

Options / Accessories

- Consecutive numbering
- Special marking according to drawing
- Self-adhesive marking strip BST-5,00
- Pitch of 10 mm for larger clearance and creepage distances
- Version with extended wire entrance
- Double wire protector as bridge