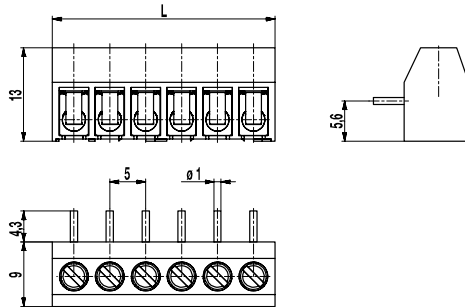
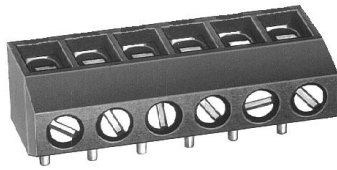


# 971-HG(-DS)

PCB connector

Screw connection, wire entrance vertical to PCB, extended insertion length



The PCB connector 971-HG with a pitch of 5 mm is available in 2- to 32-pole design and can be mounted side-by-side without pole loss.

On this PCB connector the copper solder pin is welded on top of the socket bore. This expands the insertion length to series 970 socket depth and allows to use extra-long solder pins.

Wire protection in DS-design reliably prevents damage to stranded wires by the screw. The wire entrance is vertical to the PCB.

## Part Numbers

No. of poles	971-HG	971-HG-DS	Length	PU
2	10.872.512	20.872.512	10,00	250
3	10.872.513	20.872.513	15,00	250
4	10.872.514	20.872.514	20,00	200
5	10.872.515	20.872.515	25,00	100
6	10.872.516	20.872.516	30,00	100
7	10.872.517	20.872.517	35,00	100
8	10.872.518	20.872.518	40,00	100
9	10.872.519	20.872.519	45,00	100
10	10.872.520	20.872.520	50,00	100
11	10.872.521	20.872.521	55,00	100
12	10.872.522	20.872.522	60,00	100
13	10.872.523	20.872.522	65,00	100
14	10.872.524	20.872.524	70,00	100
15	10.872.525	20.872.525	75,00	100
16	10.872.526	20.872.526	80,00	100
17	10.872.527	20.872.527	85,00	100
18	10.872.528	20.872.528	90,00	100
19	10.872.529	20.872.529	95,00	100
20	10.872.530	20.872.530	100,00	100
21	10.872.531	20.872.531	105,00	100
22	10.872.532	20.872.532	110,00	100
23	10.872.533	20.872.533	115,00	100
24	10.872.534	20.872.534	120,00	100
25	10.872.535	20.872.535	125,00	100
26	10.872.536	20.872.536	130,00	100
27	10.872.537	20.872.537	135,00	100
28	10.872.538	20.872.538	140,00	100
29	10.872.539	20.872.539	145,00	100
30	10.872.540	20.872.540	150,00	100
31	10.872.541	20.872.541	155,00	100
32	10.872.542	20.872.542	160,00	100

## General Information

Pitch	5 mm
No. of poles	2 - 32



## Technical Data

Clamping Range	<i>solid / flexible / AWG</i>		
	<i>without wire protector</i> 1 - 6 mm <sup>2</sup> / 1 - 2,5 mm <sup>2</sup> / 16 - 12 AWG		
	<i>with wire protector</i> 0,75 - 4 mm <sup>2</sup> / 0,75 - 2,5 mm <sup>2</sup> / 18 - 12 AWG		
Rated Cross Section	2,5 mm <sup>2</sup>		
Wire Stripping Length	6,5 mm ± 0,5 mm		
Overvoltage Category	III	III	II
Pollution Severity Level	3	2	2
Rated Voltage	250 V (200 V)	320 V	630 V (400 V)
Rated Impulse Voltage	4 kV	4 kV	4 kV
Rated Insulation Voltage	250 V acc. to EN 60998-1		
Rated Current	24 A		
Hole in PCB	ø 1,3 mm		
Torque	0,5 Nm		
Other specifications	Voltage data in brackets are valid for 9-32 poles types. 2-8 poles types are "no-flame" acc. to glow-wire test.		

## Material

Moulding	PA, grey, V-0
Comparative Tracking Index	2-8 poles: CTI ≥ 600; 9-32 poles: CTI 400
Insulating Group	2-8 poles: I; 9-32 poles: II
Temperature Range	-40°C up to 100°C
Terminal body	Tin plated brass
Screw	M3; zinc plated steel, blue passivated
Solder pin	ø 1 mm; tin plated copper
Wire protector	Tin plated tin bronze

## Approvals

	Current [A]	Voltage [V]	Group	AWG	[Nm]
	20	300	B	22-12 [1]	0,51
	10	300	D	22-12 [1]	0,51
	20	300	B	26 - 12	0,51
	10	300	D, E	26 - 12	0,51

[1] Min No. 26 AWG for factory-wiring only

## Options / Accessories

- Consecutive numbering
- Special marking according to drawing
- Self-adhesive marking strip BST-5,00
- Longer P.C. pins up to 75 mm
- Version with extended wire entrance
- Version with larger clamping range
- Double wire protector as bridge
- With test holes, see 971-HM(-DS)