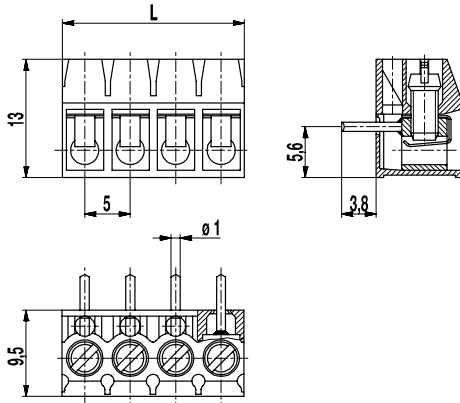
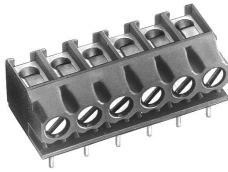


971-HM(-DS)

PCB connector

Screw connection, wire entrance vertical to PCB, extended insertion length, with test holes



The PCB connector 971-HM with a pitch of 5 mm is available in 2- to 24-pole design and can be mounted side-by-side without pole loss.

Wire protection in DS-design reliably prevents damage to stranded wires by the screw. The wire entrance is vertical to the PCB.

The screws are secured against self-loosening. For the connection to the grid, these PCB connectors are equipped with a M3 thread.

Part Numbers

No. of poles	971-HM	971-HM-DS	Length	PU
2	10.872.252	20.872.252	10,00	250
3	10.872.253	20.872.253	15,00	250
4	10.872.254	20.872.254	20,00	200
5	10.872.255	20.872.255	25,00	100
6	10.872.256	20.872.256	30,00	100
7	10.872.257	20.872.257	35,00	100
8	10.872.258	20.872.258	40,00	100
9	10.872.259	20.872.259	45,00	100
10	10.872.260	20.872.260	50,00	100
11	10.872.261	20.872.261	55,00	100
12	10.872.262	20.872.262	60,00	100
13	10.872.263	20.872.262	65,00	100
14	10.872.264	20.872.264	70,00	100
15	10.872.265	20.872.265	75,00	100
16	10.872.266	20.872.266	80,00	100
17	10.872.267	20.872.267	85,00	100
18	10.872.268	20.872.268	90,00	100
19	10.872.269	20.872.269	95,00	100
20	10.872.270	20.872.270	100,00	100
21	10.872.271	20.872.271	105,00	100
22	10.872.272	20.872.272	110,00	100
23	10.872.273	20.872.273	115,00	100
24	10.872.274	20.872.274	120,00	100

General Information

Pitch	5 mm
No. of poles	2 - 24



Technical Data

Clamping Range	<i>solid / flexible / AWG</i>		
	<i>without wire protector</i>	1 - 6 mm ² / 1 - 2,5 mm ² / 16 - 12 AWG	
	<i>with wire protector</i>	0,75 - 4 mm ² / 0,75 - 2,5 mm ² / 18 - 12 AWG	
Rated Cross Section	2,5 mm ²		
Wire Stripping Length	7 mm ± 0,5 mm		
Overvoltage Category	III	III	II
Pollution Severity Level	3	2	2
Rated Voltage	250 V (200 V)	320 V	630 V (320 V)
Rated Impulse Voltage	4 kV	4 kV	4 kV
Rated Insulation Voltage	250 V acc. to EN 60998-1		
Rated Current	24 A		
Hole in PCB	ø 1,3 mm		
Torque	0,5 Nm		
Other specifications	Voltage data in brackets are valid for 9-24 poles types. 2-8 poles types are "no-flame" acc. to glow-wire test.		

Material

Moulding	PA. grey, V-0
Comparative Tracking Index	2-8 poles: CTI ≥ 600; 9-32 poles: CTI 250
Insulating Group	2-8 poles: I; 9-32 poles: IIIa
Temperature Range	-40°C up to 100°C
Terminal body	Tin plated brass
Screw	M3; zinc plated steel, blue passivated
Solder pin	ø 1 mm; tin plated copper
Wire protector	Tin plated tin bronze

Approvals

	Current [A]	Voltage [V]	Group	AWG	[Nm]
	20	300	B	22-12 [1]	0,51
	10	300	D	22-12 [1]	0,51
	20	300	B	26 - 12	0,51
	10	300	D, E	26 - 12	0,51

[1] Min No. 26 AWG for factory-wiring only

Options / Accessories

- Consecutive numbering
- Special marking according to drawing
- Self-adhesive marking strip BST-5,00
- Pitch of 10 mm for larger clearance and creepage distances
- Longer P.C. pins up to 75 mm
- Version with extended wire entrance
- Double wire protector as bridge