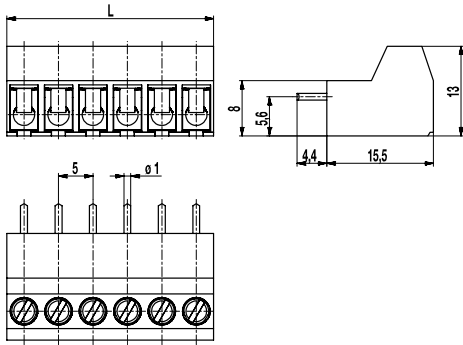
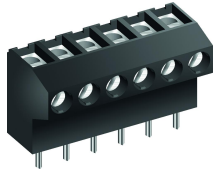


## 971-LH(-DS)

PCB connector

Screw connection, wire entrance vertical to PCB, pottable



The 971-LH series PCB screw connector with a pitch of 5 mm is particularly suited for potting printed circuits. For such potting applications, the solder pin is sealed at the housing opening against seeping casting resin. This PCB screw connector is available in 2- to 12-pole design and can be mounted side-by-side without pole loss.

Wire protection in DS-design reliably prevents damage to stranded wires by the screw.

The wire entrance is located vertical to the PCB - the casting resin surface is also vertical to the wire entrance. Version 970-LH alternatively provides wire entrance parallel to the PCB.

### Part Numbers

No. of poles	971-LH	971-LH-DS	Length	PU
2	15.873.402	25.873.402	10,00	100
3	15.873.403	25.873.403	15,00	100
4	15.873.404	25.873.404	20,00	100
5	15.873.405	25.873.405	25,00	100
6	15.873.406	25.873.406	30,00	100
7	15.873.407	25.873.407	35,00	100
8	15.873.408	25.873.408	40,00	100
9	15.873.409	25.873.409	45,00	50
10	15.873.410	25.873.410	50,00	50
11	15.873.411	25.873.411	55,00	50
12	15.873.412	25.873.412	60,00	50

### General Information

Pitch	5 mm
No. of poles	2 - 12




### Technical Data

Clamping Range	<i>solid / flexible / AWG</i>		
<i>without wire protector</i>	1 - 6 mm <sup>2</sup> / 1 - 2,5 mm <sup>2</sup> / 16 - 12 AWG		
<i>with wire protector</i>	0,75 - 4 mm <sup>2</sup> / 0,75 - 2,5 mm <sup>2</sup> / 18 - 12 AWG		
Rated Cross Section	2,5 mm <sup>2</sup>		
Wire Stripping Length	8 mm ± 0,5 mm		
Overvoltage Category	III	III	II
Pollution Severity Level	3	2	2
Rated Voltage	250 V	320 V	630 V
Rated Impulse Voltage	4 kV	4 kV	4 kV
Rated Current	24 A		
Hole in PCB	ø 1,3 mm		
Torque	0,5 Nm		

### Material

Moulding	PA, grey, V-0
Comparative Tracking Index	CTI ≥ 600
Insulating Group	I
Temperature Range	-40°C up to 100°C
Terminal body	Tin plated brass
Screw	M3; zinc plated steel, blue passivated
Solder pin	ø 1 mm; tin plated copper
Wire protector	Tin plated tin bronze

### Approvals

	Current [A]	Voltage [V]	Group	AWG	[Nm]
	20	300	B	22-12 [1]	0,51
	10	300	D	22-12 [1]	0,51
	20	300	B	26 - 12	0,51
	10	300	D, E	26 - 12	0,51
<hr/>					
	Current [A]	Voltage [V]	[mm <sup>2</sup> ]		
	24	250	2,5 [2]		

[1] Min No. 26 AWG for factory-wiring only

[2] Acc. to IEC 60947-7-4 und IEC 60947-1

### Options / Accessories

- Consecutive numbering
- Special marking according to drawing
- Self-adhesive marking strip BST-5,00
- Other solder pin lengths on request
- Version with extended wire entrance
- Version with larger clamping range
- Double wire protector as bridge