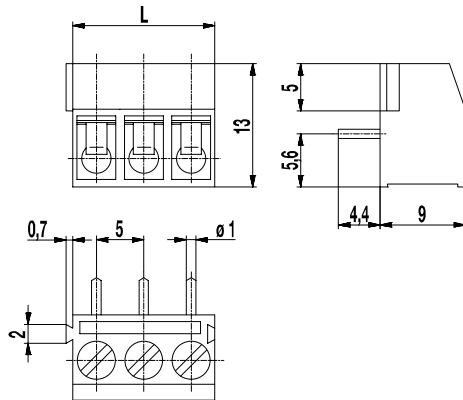
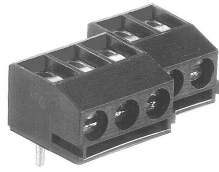


# 971-THG(-DS)

PCB connector

Screw connection, wire entrance vertical to PCB, interlocking, extended insertion length



The PCB screw connector 971-THG with a pitch of 5 mm is available with 2 and 3 poles. Welding the solder pin on top of the socket bore expands the insertion length to series 970 socket depth and allows to use extra-long solder pins.

Wire protection in DS-design reliably prevents damage to stranded wires by the screw. The wire entrance is vertical to the PCB.

Lateral latching elements allow to link this type of screw connector to terminal strips of any length.

## Part Numbers

No. of poles	971-THG	971-THG-DS	Length	PU
2	10.872.502	20.872.502	10,00	250
3	10.872.503	20.872.503	15,00	250

## General Information

Pitch	5 mm
No. of poles	2 + 3



## Technical Data

Clamping Range	<i>solid / flexible / AWG</i>		
<i>without wire protector</i>	1 - 6 mm <sup>2</sup> / 1 - 2,5 mm <sup>2</sup> / 16 - 12 AWG		
<i>with wire protector</i>	0,75 - 4 mm <sup>2</sup> / 0,75 - 2,5 mm <sup>2</sup> / 18 - 12 AWG		
Rated Cross Section	2,5 mm <sup>2</sup>		
Wire Stripping Length	6,5 mm ± 0,5 mm		
Overvoltage Category	III	III	II
Pollution Severity Level	3	2	2
Rated Voltage	250 V	320 V	630 V
Rated Impulse Voltage	4 kV	4 kV	4 kV
Rated Insulation Voltage	250 V acc. to EN 60998-1		
Rated Current	24 A		
Hole in PCB	ø 1,3 mm		
Torque	0,5 Nm		

## Material

Moulding	PA, grey, V-0
Comparative Tracking Index	CTI ≥ 600
Insulating Group	I
Temperature Range	-40°C up to 100°C
Terminal body	Tin plated brass
Screw	M3; zinc plated steel, blue passivated
Solder pin	ø 1 mm; tin plated copper
Wire protector	Tin plated tin bronze

## Approvals

	Current [A]	Voltage [V]	Group	AWG	[Nm]
	20	300	B	22-12 [1]	0,51
	10	300	D	22-12 [1]	0,51
	20	300	B	26 - 12	0,51
	10	300	D, E	26 - 12	0,51

[1] Min No. 26 AWG for factory-wiring only

## Options / Accessories

- Consecutive numbering
- Special marking according to drawing
- Self-adhesive marking strip BST-5,00
- Pitch of 10 mm for larger clearance and creepage distances
- Other solder pin lengths on request
- Version with extended wire entrance
- Version with larger clamping range
- Double wire protector as bridge
- With test holes, see 971-THM(-DS)