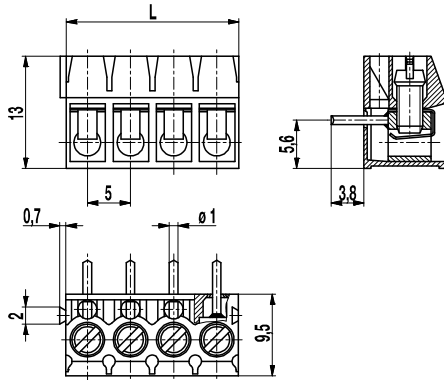
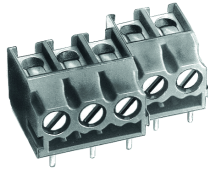


PCB connector 971-THM(-DS)

Screw connection, wire entrance vertical to PCB, interlocking, extended insertion length, with test holes



The PCB screw connector 971-THM with test hole, 5 mm pitch, is available with 2 and 3 poles. Welding the solder pin on top of the socket bore expands the insertion length to series 970 socket depth and allows to use extra-long solder pins.

Wire protection in DS-design reliably prevents damage to stranded wires by the screw. The wire entrance is vertical to the PCB.

The screws are secured against self-loosening. For the connection to the grid, these PCB connectors are equipped with a M3 thread.

Lateral locking elements allow to link this type of screw connector to terminal strips of any length.

Part Numbers

No. of poles	971-THM	971-THM-DS	Length	Pcs
2	10.872.282	20.872.282	10,00	250
3	10.872.283	20.872.283	15,00	250

General Information

Pitch	5 mm
No. of poles	2 + 3

Technical Data

Clamping Range	<i>solid / flexible / AWG</i>		
<i>without wire protector</i>	1 - 6 mm ² / 1 - 2,5 mm ² / 16 - 12 AWG		
<i>with wire protector</i>	0,75 - 4 mm ² / 0,75 - 2,5 mm ² / 18 - 12 AWG		
Rated Cross Section	2,5 mm ²		
Wire Stripping Length	7 mm ± 0,5 mm		
Overvoltage Category	III	III	II
Pollution Severity Level	3	2	2
Rated Voltage	250 V	320 V	630 V
Rated Impulse Voltage	4 kV	4 kV	4 kV
Rated Insulation Voltage	250 V acc. to EN 60998-1		
Rated Current	24 A		
Hole in PCB	ø 1,3 mm		
Torque	0,5 Nm		

Material

Moulding	PA, grey, V-0
Comparative Tracking Index	CTI ≥ 600
Insulating Group	I
Temperature Range	-40°C up to 100°C
Terminal body	Tin plated brass
Screw	M3; zinc plated steel, blue passivated
Solder pin	ø 1 mm; tin plated copper
Wire protector	Tin plated tin bronze

Approvals

	Current	Voltage	Group	AWG	Nm
	20	300	B	22-12 [1]	0,51
	10	300	D	22-12 [1]	0,51
	20	300	B	26 - 12	0,51
	10	300	D, E	26 - 12	0,51
	Current	Voltage	mm ²		
	24	400	2,5		

[1] Min No. 26 AWG for factory-wiring only

Options / Accessories

- Consecutive numbering
- Special marking according to drawing
- Self-adhesive marking strip BST-5,00
- Pitch of 10 mm for larger clearance and creepage distances
- Longer P.C. pins up to 75 mm
- Version with extended wire entrance
- Double wire protector as bridge