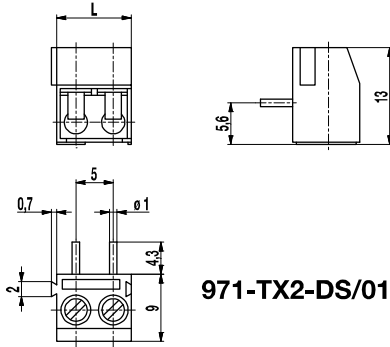
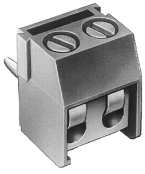


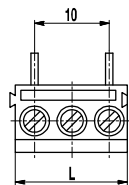
PCB connector

971-TX..(-DS)

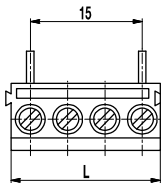
Screw connection, wire entrance vertical to PCB, 2 to 4 screw connections at only one pole, interlocking



971-TX2-DS/01



971-TX3-DS/01



971-TX4-DS/01

The PCB screw connector 971-TX with a „pitch“ of 5 mm has 2 to 4 screw connections at only one pole and can be used e.g. as potential distributors. This allows to loop through earth conductors easily.

Lateral latching elements allow to latch this type of screw connector to terminal strips of any length.

Wire protection in DS-design reliably prevents damage to stranded wires by the screw.

The wire entrance is vertical to the PCB.

A not latchable version with 2 to 12 screw connections at one pole is available as type 971-X..

NOTE:

The pole numbers indicated in the article number do not designate the actual number of poles but the number of screw connections instead!

Part Numbers

No. of poles	971-TX..	971-TX..-DS	Length	Pcs
2	10.872.692	20.872.692	10,00	250
3	10.872.693	20.872.693	15,00	250
4	10.872.694	20.872.694	20,00	200

General Information

Pitch	5 mm
No. of poles	1

Technical Data

Clamping Range	<i>solid / flexible / AWG</i>		
	<i>without wire protector</i>	1 - 6 mm ² / 1 - 2,5 mm ² / 16 - 12 AWG	
	<i>with wire protector</i>	0,75 - 4 mm ² / 0,75 - 2,5 mm ² / 18 - 12 AWG	
Rated Cross Section	2,5 mm ²		
Wire Stripping Length	6,5 mm ± 0,5 mm		
Overvoltage Category	III	III	II
Pollution Severity Level	3	2	2
Rated Voltage	250 V	320 V	630 V
Rated Impulse Voltage	4 kV	4 kV	4 kV
Rated Insulation Voltage	250 V acc. to EN 60998-1		
Rated Current	24 A		
Hole in PCB	ø 1,3 mm		
Torque	0,5 Nm		

Material

Moulding	PA, grey, V-0
Comparative Tracking Index	CTI ≥ 600
Insulating Group	I
Temperature Range	-40°C up to 100°C
Terminal Body	Tin plated brass
Screw	M3; zinc plated steel, blue passivated
Solder pin	ø 1 mm; tin plated brass
Wire protector	Tin plated tin bronze

Approvals

	Current	Voltage	Group	AWG	Nm
	20	300	B	26 - 12	0,51
	10	300	D, E	26 - 12	0,51
	Current	Voltage	mm ²		
	24	400	2,5		

Options / Accessories

- Consecutive numbering
- Special marking according to drawing
- Self-adhesive marking strip BST-5,00
- Other P.C. pin lengths on request
- P.C. pins with different lengths between each other
- Other position of P.C. pins
- Version with extended wire entrance