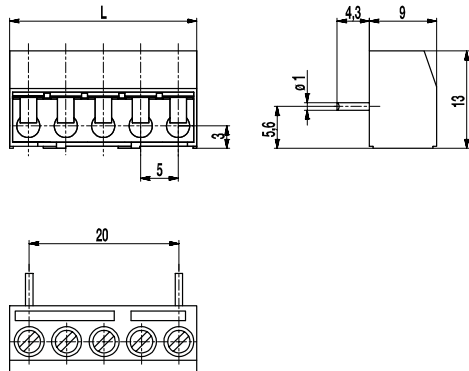


971-X..(-DS)

PCB connector

Screw connection, wire entrance vertical to PCB, 2 to 12 screw connections at only one pole



The PCB screw connector 971-X with a "pitch" of 5 mm has 2 to 12 screw connections at only one pole and can be used e.g. as potential distributors. This allows to loop through earth conductors easily.

Wire protection in DS-design reliably prevents damage to stranded wires by the screw.

The wire entrance is vertical to the PCB.

A latchable version with 2 to 4 screw connections at one pole is available as type 971-TX..

NOTE:

The pole numbers indicated in the article number do not designate the actual number of poles but the number of screw connections instead!

Part Numbers

No. of poles	971-X..	971-X..-DS	Length	PU
5	10.872.555	20.872.555	25,00	100
6	10.872.556	20.872.556	30,00	100
7	10.872.557	20.872.557	35,00	100
8	10.872.558	20.872.558	40,00	100
9	10.872.559	20.872.559	45,00	100
10	10.872.560	20.872.560	50,00	100
11	10.872.561	20.872.561	55,00	100
12	10.872.562	20.872.562	60,00	100

further number of poles on request

General Information

Pitch	5 mm
No. of poles	1



Technical Data

Clamping Range	<i>solid / flexible / AWG</i>		
	<i>without wire protector</i>	1 - 6 mm ² / 1 - 2,5 mm ² / 16 - 12 AWG	
	<i>with wire protector</i>	0,75 - 4 mm ² / 0,75 - 2,5 mm ² / 18 - 12 AWG	
Rated Cross Section	2,5 mm ²		
Wire Stripping Length	6,5 mm ± 0,5 mm		
Overvoltage Category	III	III	II
Pollution Severity Level	3	2	2
Rated Voltage	250 V	320 V	630 V
Rated Impulse Voltage	4 kV	4 kV	4 kV
Rated Current	24 A		
Hole in PCB	ø 1,3 mm		
Torque	0,5 Nm		

Material

Moulding	PA, grey, V-0
Comparative Tracking Index	CTI ≥ 600
Insulating Group	I
Temperature Range	-40°C up to 100°C
Terminal body	Tin plated brass
Screw	M3; zinc plated steel, blue passivated
Solder pin	ø 1 mm; tin plated copper
Wire protector	Tin plated tin bronze

Approvals

	Current [A]	Voltage [V]	Group	AWG	[Nm]
	20	300	B	26 - 12	0,51
	10	300	D, E	26 - 12	0,51
	Current [A]	Voltage [V]	[mm ²]		
	24	250	2,5 [1]		

[1] Acc. to IEC 60947-7-4 und IEC 60947-1

Options / Accessories

- Consecutive numbering
- Special marking according to drawing
- Self-adhesive marking strip BST-5,00
- Other P.C. pin lengths on request
- P.C. pins with different lengths between each other
- Other position of P.C. pins
- Version with extended wire entrance